



We reach for the sky.

YOUR WAY
— TO THE —
TOP
REALISE THE POTENTIAL



ALP-Personnel-Lifts

www.boecker-group.com

ALP-Lifts by Böcker

More modern than ever!

For more than 30 years, Böcker has been known as the producer of personnel and material lifts with the brand name ALP-lift. Today, the proven concept of extremely compact, light machines with payloads and lifting heights above average is more modern than ever. Use the ALP-lifts for the carriage of passengers for your assembly work and benefit from the advantages of the lifts.

Efficiency

- ✓ Lightweight aluminium design ensures minimum dead weight and high payloads
- ✓ Compact dimensions with flexible working heights

Speed

- ✓ Safely and quickly ready for use thanks to short setting-up time
- ✓ Easy transport thanks to compact dimensions

Comfort

- ✓ Easy to manoeuvre, therefore can be used everywhere
- ✓ Extendable to the desired height thanks to the precise control with the footswitch

Versatility

- ✓ Almost unlimited possibilities of indoor and outdoor use
- ✓ Wide range of accessories for even more variability

Quality

- ✓ Made in Germany
- ✓ Use of metric materials only



Small and compact, can be used in any place



PHC-Lift – perfect for the use in sports halls

Perfect for assembly, repair and maintenance

The ALP-personnel-lifts are practically irreplaceable for assembly or repair works, especially in closed rooms with a high ceiling. Whether for assembly, repair, maintenance or cleaning, with the ALP-lifts by Böcker you can reach the optimum working height at any time. On site, the machines are immediately ready for use and offer maximum efficiency and a high working speed thanks to the user-friendly operation.

Wide product range

- ✓ Powerful PH lift
- ✓ Compact PHC lifts
- ✓ Practical PHC-HI lifts with integrated lift truck

Enormous performance

- ✓ Maximum working height up to 14 m
- ✓ Payloads up to 140 kg ensure the transport of tools

Simple operation

- ✓ Precise control with footswitch
- ✓ 230 volt drive

Comfortable transport

- ✓ Integrated loading unit facilitates loading into the van or onto the trailer
- ✓ Fits through small halls, standard doors or lifts



UNI-Lift PHC 1000 EU – the solution for cinemas, theaters, lecture halls etc.

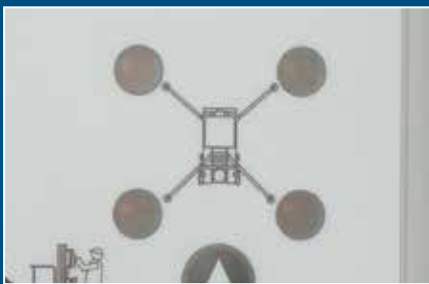
Industrial lifts without outriggers for the use in narrow halls

Standard Equipment

All ALP-personnel-lifts by Böcker come with extensive standard equipment which guarantees a safe and user-friendly operation.



1 Available with hand or foot control



2 Outrigger control unit with warning light



3 Extra control unit below



4 Spirit level for correct and safe positioning

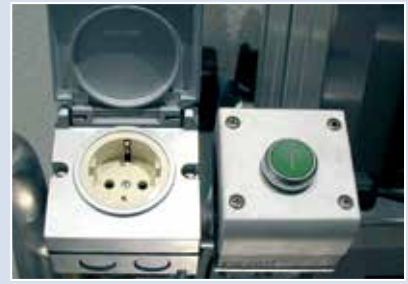


Accessories

The wide range of accessories for all ALP-personnel-lifts by Böcker fulfills nearly any wish. We also manufacture special models.



5 Loading unit with height adjustable wheels



Power supply in work basket



6 1,5 kw power unit



Tool box



Rotating (axis) wheels for 360° positioning



7 Outrigger brackets facilitate the transport



Special wheels available for operation in different locations



Crane lifting points for safe transport



8 Forklift pocket for a problem-free transport



Ballast weights for use with shorter outriggers



Counter weights for outriggers



9 Wheels with stabilizing brakes



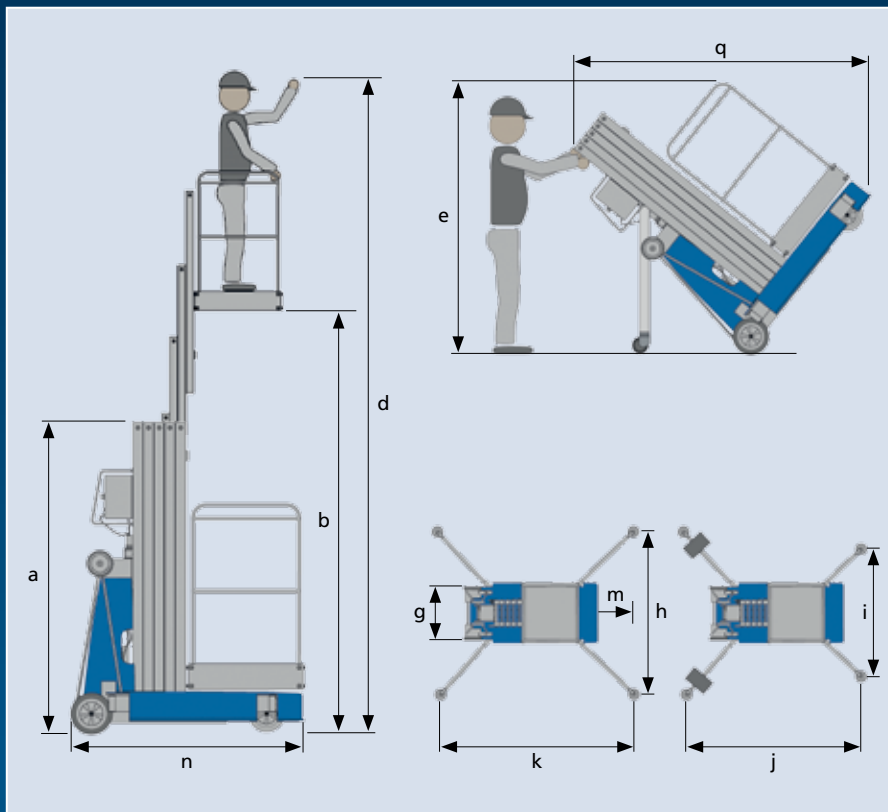
Electrically extendable work basket



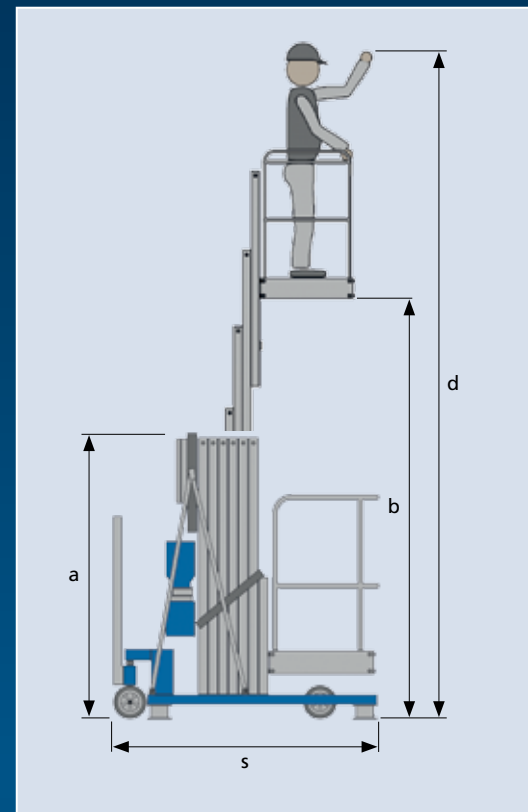
Protective cover

Technical Data

Standard lift



Industrial lift

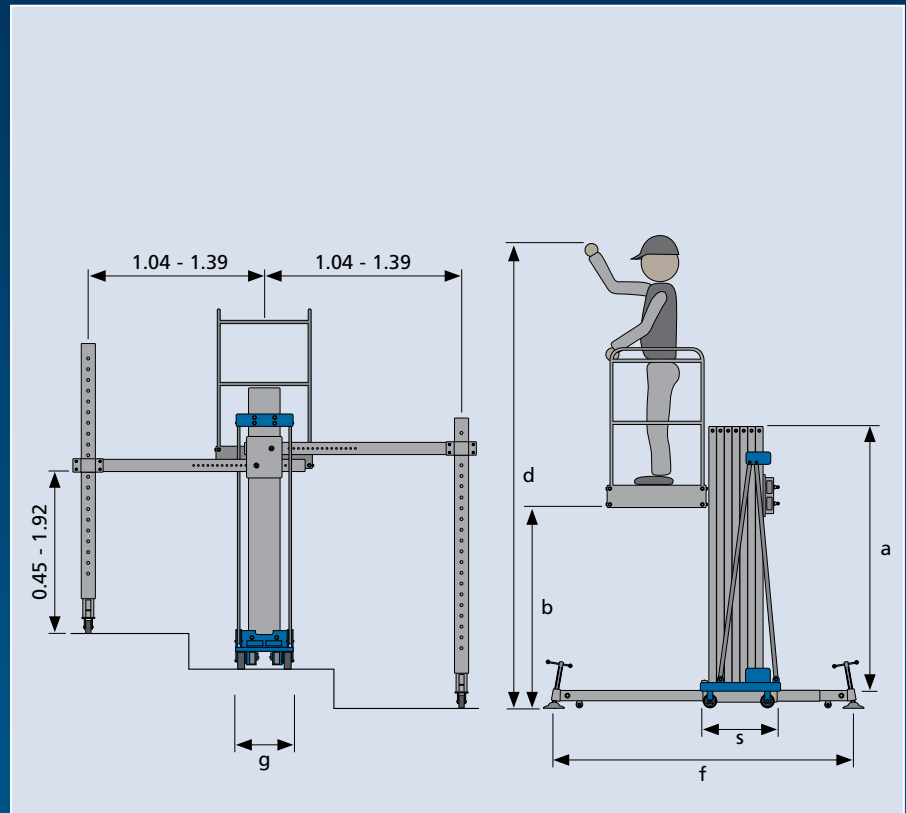
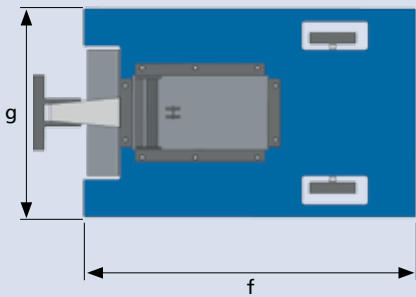


Standard lift

Model		PHC 650	PHC 800	PHC 940	PHC 1100	PHC 1200	PH 1300	PH 1400
Working height [m]	d	6.50	8.00	9.45	10.85	12.00	12.75	14.00
Platform height [m]	b	4.50	6.00	7.45	8.85	10.00	10.75	12.00
Payload [kg]		140	140	140	140	135	135	115
Dimensions								
Height [m]	a	1.98	1.98	1.98	1.98	1.98	2.30	2.77
Width [m]	g	0.77	0.77	0.77	0.77	0.77	0.77	0.77
Length [m]	n	1.26	1.32	1.38	1.44	1.44	1.44	1.44
Length tipped [m]	q	–	–	–	–	–	2.40	2.85
Height tipped [m]	e	–	–	–	–	–	1.98	1.95
Outrigger footprint (inside) [m]	h x k	1.25 x 1.26	1.41 x 1.39	1.53 x 1.50	1.74 x 1.78	2.04 x 2.05	2.18 x 2.17	2.29 x 2.25
Outrigger footprint (inside) with ballast weights [m]	h x k	–	1.25 x 1.26	1.25 x 1.26	1.41 x 1.49	1.61 x 1.67	1.81 x 1.85	2.04 x 2.05
Outrigger footprint (outside) [m]	h x k	2.04 x 1.95	2.43 x 2.28	2.73 x 2.55	3.24 x 3.10	3.67 x 3.47	3.67 x 3.47	3.90 x 3.67
Outrigger footprint (outside) in front of walls [m]	i x j	1.25 x 1.62	1.41 x 1.86	1.53 x 2.05	1.74 x 2.46	2.04 x 2.79	2.18 x 2.85	2.29 x 3.00
Distance from wall [cm]	m	9	10	9	21	34	40	45
Dead weight without ballast weights [kg]		250	280	300	330	345	394	430
Dead weight with ballast weights [kg]		294	354	384	414	429	478	514
Extension speed approx. [sec.]		28	26	21	26	26	35	40

We reserve the right to make changes to the design, weight and dimensions of equipments.

UNI-lift



Industrial lift

Model		PHC-HI 800	PHC-HI 940	PHC-HI 1100	PHC 1000 EU
Working height [m]	d	8.00	9.40	10.80	10.50
Platform height [m]	b	6.00	7.40	8.80	8.5
Payload [kg]		140	140	140	140
Dimensions					
Height [m]	a	1.98	1.98	1.98	1.99
Width [m]	g	0.79	0.79	0.89	0.41
Length [m]	f/s	1.37/1.61	1.37/1.61	1.43/1.67	2.63/0.59
Length tipped [m]		–	–	–	–
Height tipped [m]		–	–	–	–
Outrigger footprint (inside) [m]	g x s	0.79 x 1.61	0.79 x 1.61	0.89 x 1.67	variable
Outrigger footprint (inside) with ballast weights [m]		–	–	–	–
Outrigger footprint (outside) [m]		–	–	–	–
Outrigger footprint (outside) in front of walls [m]		–	–	–	–
Distance from wall [cm]		0	0	0	0.45
Dead weight without ballast weights [kg]		678	715	825	215
Dead weight with ballast weights [kg]		–	–	–	–
Extension speed approx. [sec.]		26	21	26	26

We reserve the right to make changes to the design, weight and dimensions of equipments.

UNI-lift

**Böcker – made in
GERMANY**



**DENSEST
SERVICE-NETWORK
IN EUROPE**

Böcker Belgium NV

Boomsesteenweg 101 · B-2630 Aartselaar
Fon +32 (0) 3 / 45 76 241
Fax +32 (0) 3 / 45 76 242
Mail belgium@boecker-group.com

Böcker France SAS

Zac du TEC · F-30320 Marguerittes
Fon +33 (0) 4 6620 9364
Fax +33 (0) 4 6620 9926
Mail france@boecker-group.com

Böcker Italia srl

Corso Porta Nuova 11 · I-37122 Verona (VR)
Fon +39 045 / 87 80 399
Fax +39 045 / 87 80 420
Mail italia@boecker-group.com

Böcker Nederland B.V.

De Geerden 22 · NL-5334 LE Velddriel
Fon +31 (0) 418 / 571 444
Fax +31 (0) 418 / 635 222
Mail nederland@boecker-group.com

Böcker Schweiz AG

Striegelstraße 1 · CH-4665 Oftringen
Fon +41 (0) 62 / 797 62 62
Fax +41 (0) 62 / 797 62 68
Mail schweiz@boecker-group.com

Böcker Satış Ofisi Türkiye

TR-34315 Denizköşkler Avcılar / İstanbul
Fon +90 (542) 618 06 96
Fax +49 (0) 2389 / 7989-9134
Mail tuerkiye@boecker-group.com

Branch office north

Farmers Ring 8 · D-25337 Koelln-Reisiek
Fon +49 (0) 4121 / 57 10 00
Fax +49 (0) 4121 / 57 10 01
Mail nl nord@boecker-group.com

Branch office east

Freiheit 20–21 · D-13597 Berlin-Spandau
Fon +49 (0) 30 / 3 39 39 04-0
Fax +49 (0) 30 / 3 39 39 04-29
Mail nl east@boecker-group.com

Branch office middle

Kasseler Str. 62 · D-34277 Fuldabrück
Fon +49 (0) 561 / 5 85 46 73
Fax +49 (0) 561 / 5 85 46 74
Mail nl mitte@boecker-group.com

Branch office south-west

Bussardstr. 16 · D-68753 Waghäusel
Fon +49 (0) 72 54 / 9 58 85-0
Fax +49 (0) 72 54 / 9 58 85-29
Mail nl suedwest@boecker-group.com

Branch office south

Kirchweg 4 · D-82239 Alling
Fon +49 (0) 81 41 / 888 601
Fax +49 (0) 81 41 / 53 72 707
Mail nl sued@boecker-group.com



Wir sind die Höhe.

Böcker Maschinenwerke GmbH

Lippestraße 69–73 · D-59368 Werne
Fon +49 (0) 23 89 / 79 89-0
Fax +49 (0) 23 89 / 79 89-9000
Mail info@boecker-group.com