

BOX BD 10/10 M4 0,59kW (251320550)

GENERAL DATA

CENTRIFUGAL IN SOUNDPROOF CABINET



MANUFACTURING FEATURES:

- Impellers made of polyamide reinforced with fiberglass up to size 33/33 (12/12). Rest of models made of galvanized steel sheet.
- BD range fans assembled in soundproof cabinets with thermo-acoustic insulation, Bs1d0 fire class.
- Fan assembled on antivibration mountings.
- Connection gland included.
- Closed motors specially designed by Casals with extruded aluminum housing, which make the whole connection is protected within the integrated terminal box on the motor IP 65 protection and motor with IP54 protection and Class F insulation standard voltages: 230V 50Hz in single phase and 230/400V 50Hz three-phase.

APPLICATIONS:

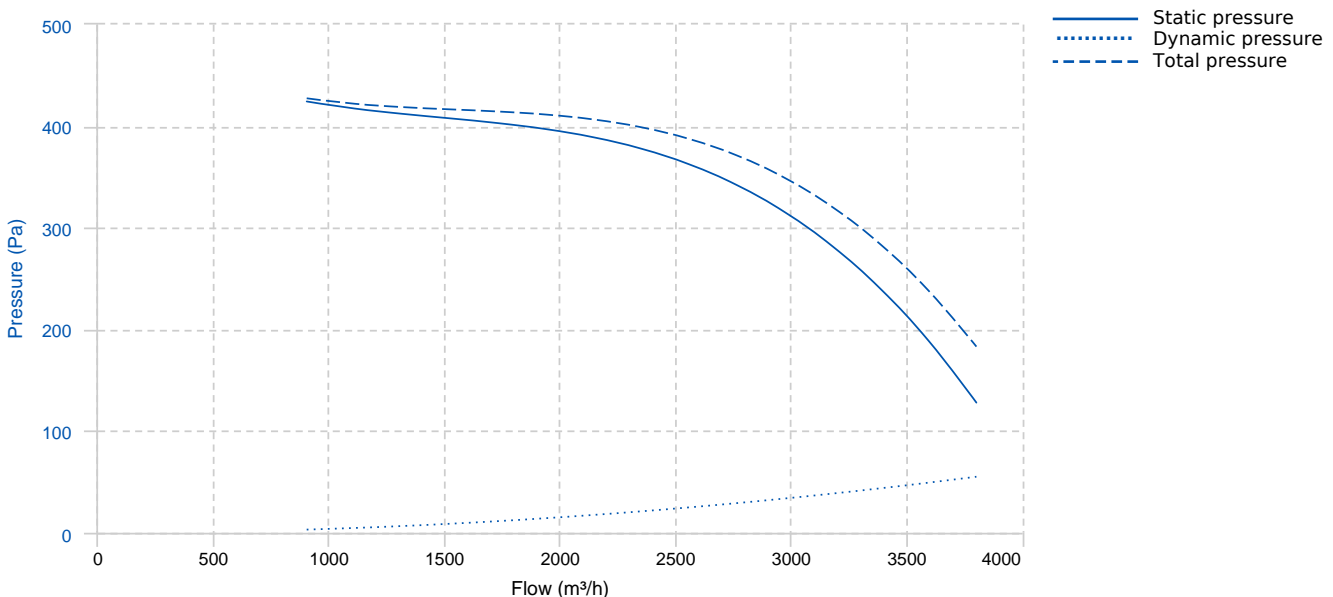
Designed for inline installation, indoor or outdoor assembly, they are suitable for:

- Air renewal in buildings and industries.
- Industrial and professional kitchen hoods.
- Maximum working temperature: 50°C.

UNDER REQUEST:

- LG0 position.
- Impellers made of galvanised steel sheet.
- 3 speed fans.

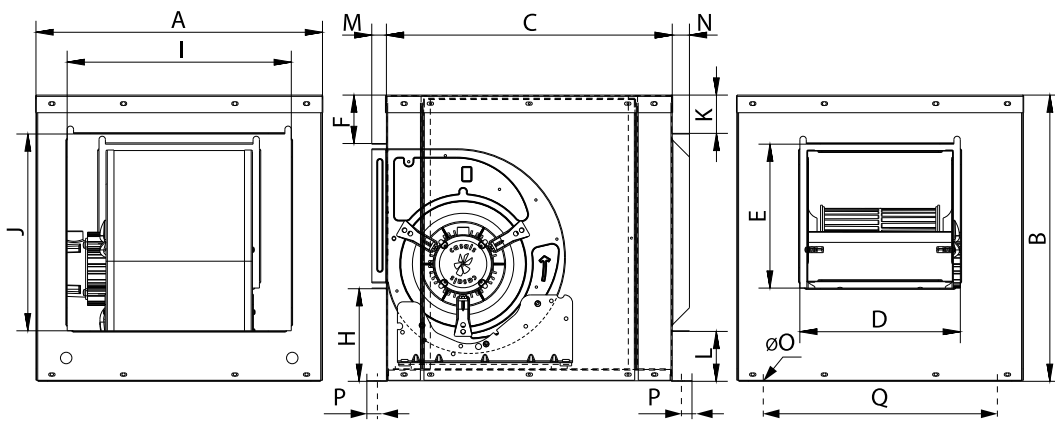
PERFORMANCE CURVE



TECHNICAL DATA

Fan							
RPM	1340	Approx. weight	34 kg	Max. Flow	3810 m ³ /h		
Motor							
Power	0,59 kW	RPM	1340	Capacitor	28μF 400V	I max. (230V)	4,5 A
Size	STC80	Approx. weight	7.7 kg	Efficiency (%)	68 %	FP	0.96

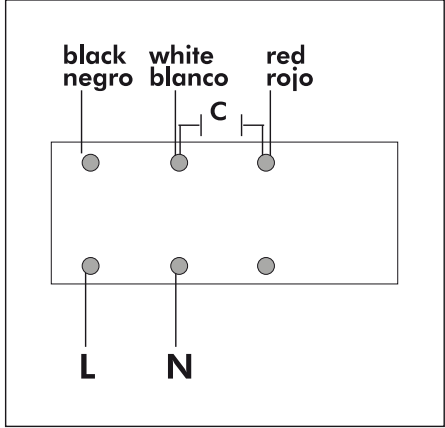
DIMENSIONS



Dimensions (mm)									
A	580	B	580	C	580	D	342	E	298
F	84	H	195	I	493	J	421	K	69
L	88	M	23	N	27	O	10	P	17
Q	522,4								

WIRING DIAGRAM

SINGLE PHASE MOTOR
MOTOR MONOFÁSICO



ACCESSORIES



MANUAL SINGLE PHASE SPEED CONTROLLER
REG 5A
REF: 960710050



SAFETY SWITCH
INT 25 3P A
REF: INT253PA



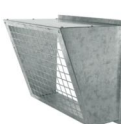
METALLIC GRAVITY SHUTTER FOR CABINET FANS. CERTIFIED 400°C/2H
PI 28/28 (10/10)
REF: 970280100



INLET BLIND COVER
TCA 8
REF: 960001113



INLET/OUTLET ROUND COVER
TIAC 3 (OUT)
REF: 960001353



OUTDOOR FLANGE WITH BIRD GUARD
VIS OUT 10
REF: 960000051



INLET/OUTLET ROUND COVER
TIAC 14 (IN)
REF: 960001364



OUTDOOR FLANGE WITH BIRD GUARD
VIS IN 10
REF: 960000053



RECTANGULAR-CIRCULAR FLANGE
BAC 3 (OUT 10/10)
REF: 960002953

ANTI-VIBRATION



RECTANGULAR-CIRCULAR FLANGE
BAC 14 (IN BOX BD/BV 10/10)
REF: 960002964

ANTI-VIBRATION



SPARE PARTS

•

	Code	Model	Qty
1	251329478	MOTOR+SUPPORTS BD10/10M4 STC	x1
1	720331145	MOTOR BD M4 0,59kW 230V	x1
2	251379383	TURBINE PA6 BD10/10	x1