

BSTB 355 (300784500)

GENERAL DATA



SIMPLE INLET BACKWARD IMPELLER WITH FREE SHAFT

MANUFACTURING FEATURES:

- Fully made of galvanised steel sheet.
- Simple inlet, backward impeller with self-cleaning system.
- Transmission shaft with anticorrosion treatment.

APPLICATIONS:

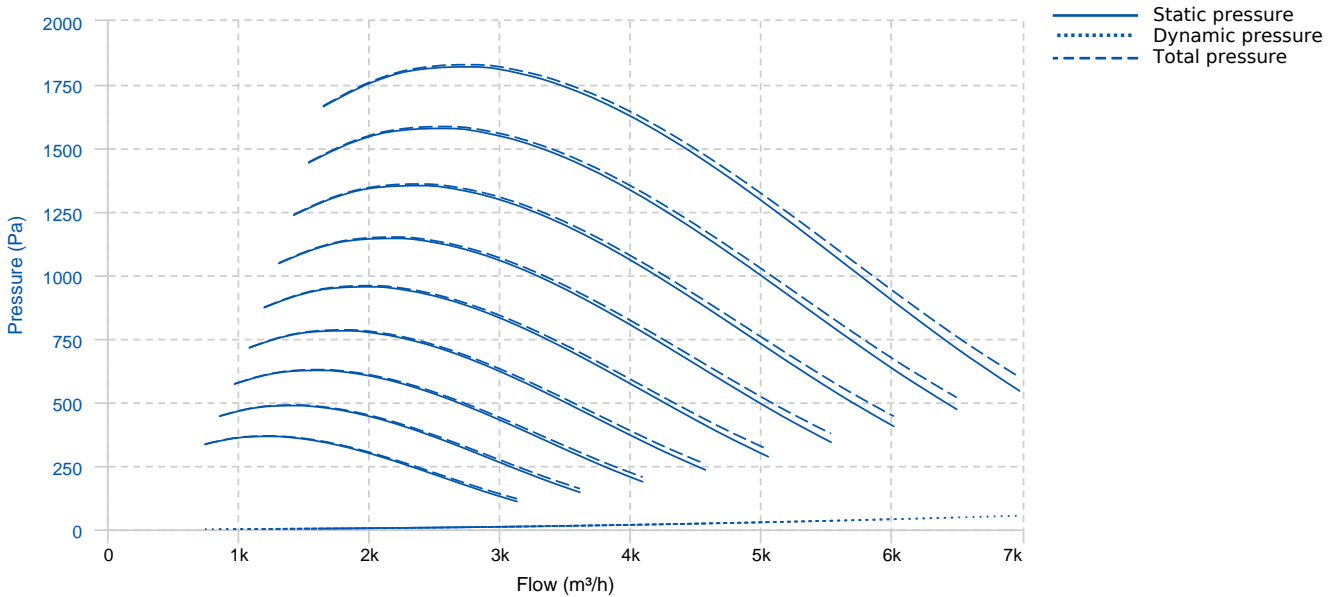
Designed for assembly in equipment:

- Ventilation boxes and air handling units.
- Centrifugal heaters.
- Industrial and professional kitchen hoods.
- Maximum working temperature: carried air: 100°C

UNDER REQUEST:

- Totally assembled fan with motor, belts and pulleys.

PERFORMANCE CURVE

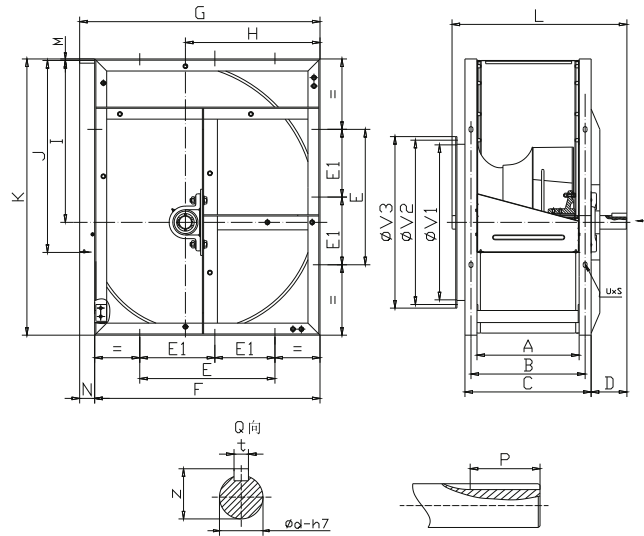


TECHNICAL DATA

Fan

RPM	-	Approx. weight	64 kg	Max. Flow	6980 m³/h
-----	---	----------------	-------	-----------	-----------

DIMENSIONS



Dimensions (mm)

A	252	B	292	C	332	D	93	E	315
F	548	G	578	H	318	I	383	J	452
K	654	L	460	M	6	N	30	P	40
UxS	13x18	t	8	z	33,3	ØV1	362	ØV2	397
ØV3	420	Ød	30						

ACCESSORIES



SAFETY SWITCH
INT 25 3P A
REF: INT253PA



ANTI-VIBRATION JOINT
JE 45
REF: 300719201



SPARE PARTS

	Code	Model	Qty
1	T00784500	TURBINE BSTB 355	x1
2	300784500SP03	SHAFT BSTB 355	x1
3	244350110SP05	BEARING BSTB 355	x2