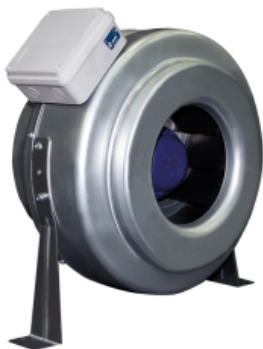


# BT-3 100 (509810000)

## GENERAL DATA



### CENTRIFUGAL IN LINE WITH EXTERNAL ROTOR MOTOR

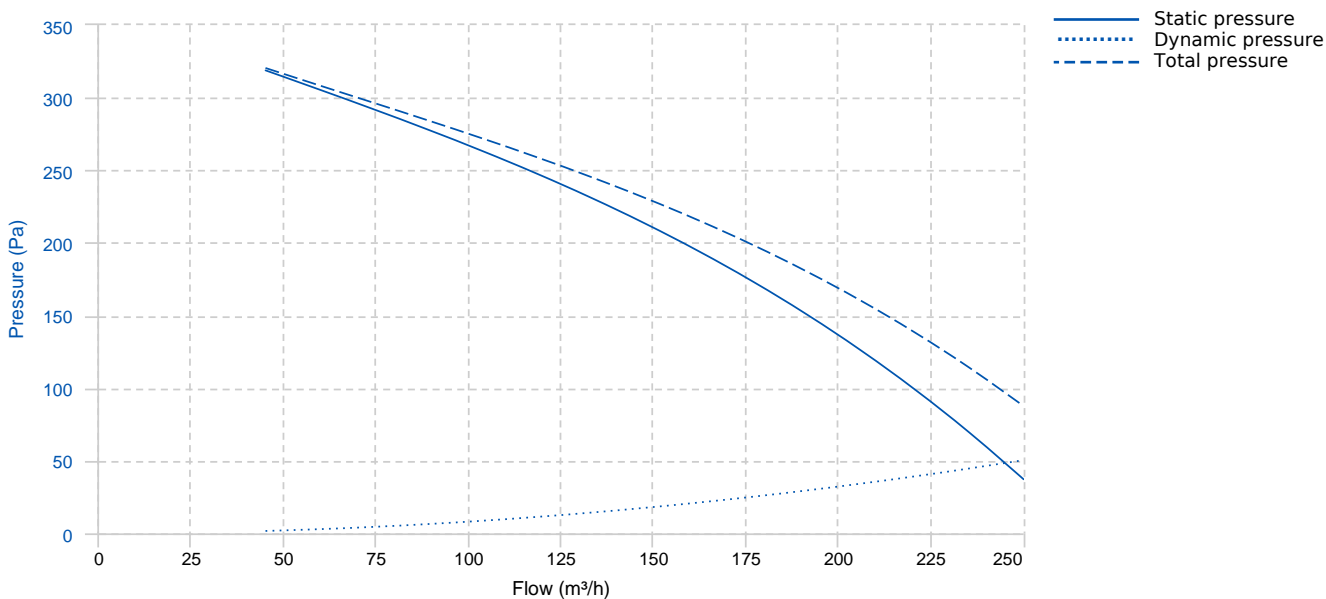
#### MANUFACTURING FEATURES:

- Housing in galvanized sheet.
- Backward impeller dynamically balanced.
- External connection box.
- Single-phase asynchronous motor with external rotor, including thermal protector for automatic resetting and long-life permanent lubrication ball bearings (40,000 hours). Protection IP-44. Standard voltage 230V 50/60Hz (except 315 size which has different motor at 50Hz than 60Hz)
- Supplied with support feet (optional mounting)

#### APPLICATIONS:

- Designed for duct installation, suitable for false ceiling, are indicated for:
- Renovation of air in bathrooms and small rooms.
  - Maximum continuous working temperature: 50°C.
  - Fan not suitable for transporting explosive gases.

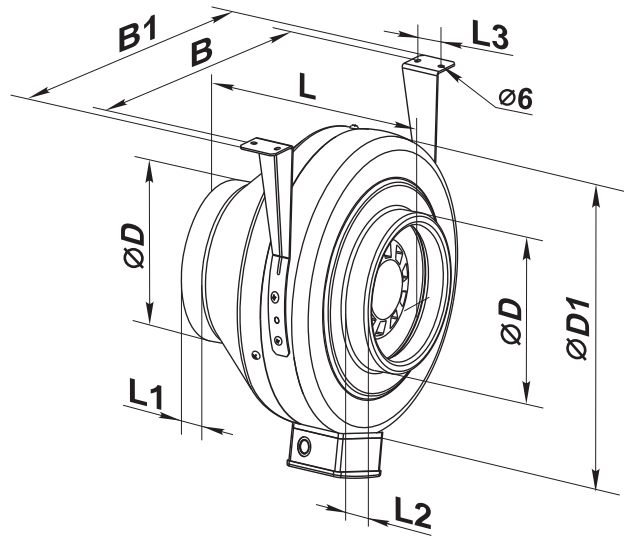
## PERFORMANCE CURVE



## TECHNICAL DATA

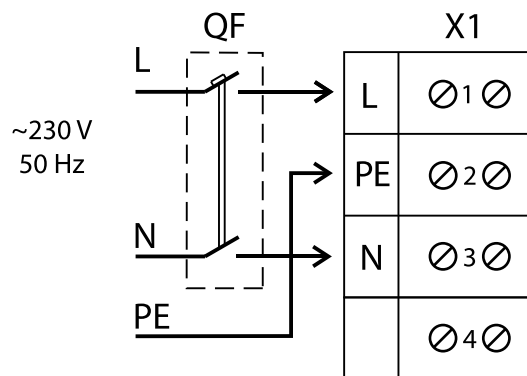
| Fan   |          |                |         |               |          |
|-------|----------|----------------|---------|---------------|----------|
| RPM   | 2820     | Approx. weight | 3.16 kg | Max. Flow     | 260 m³/h |
| Motor |          |                |         |               |          |
| Power | 0,072 kW | RPM            | 2820    | I max. (230V) | 0,32 A   |

## DIMENSIONS



| Dimensions (mm) |     |    |     |     |     |    |    |    |    |
|-----------------|-----|----|-----|-----|-----|----|----|----|----|
| B               | 253 | B1 | 293 | L   | 202 | L1 | 23 | L2 | 22 |
| L3              | 30  | ØD | 98  | ØD1 | 237 |    |    |    |    |

## WIRING DIAGRAM



## ACCESSORIES



**MANUAL SINGLE PHASE SPEED CONTROLLER**  
**REG 1,5A**  
**REF: 960710015**



**SAFETY SWITCH**  
**INT 25 3P A**  
**REF: INT253PA**



**ANTI-VIBRATION JOINT**  
**JE 45**  
**REF: 300719201**



**MANUAL SINGLE PHASE SPEED CONTROLLER**  
**REGD-1**  
**REF: 300782600**



**CIRCULAR SOUND ATTENUATOR IN GALVANISED**  
**STEEL**  
**SILC-MINI 100**  
**REF: SILCM100**