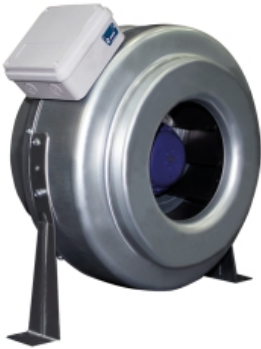


BT-3 150 (509815000)

GENERAL DATA



CENTRIFUGAL IN LINE WITH EXTERNAL ROTOR MOTOR

MANUFACTURING FEATURES:

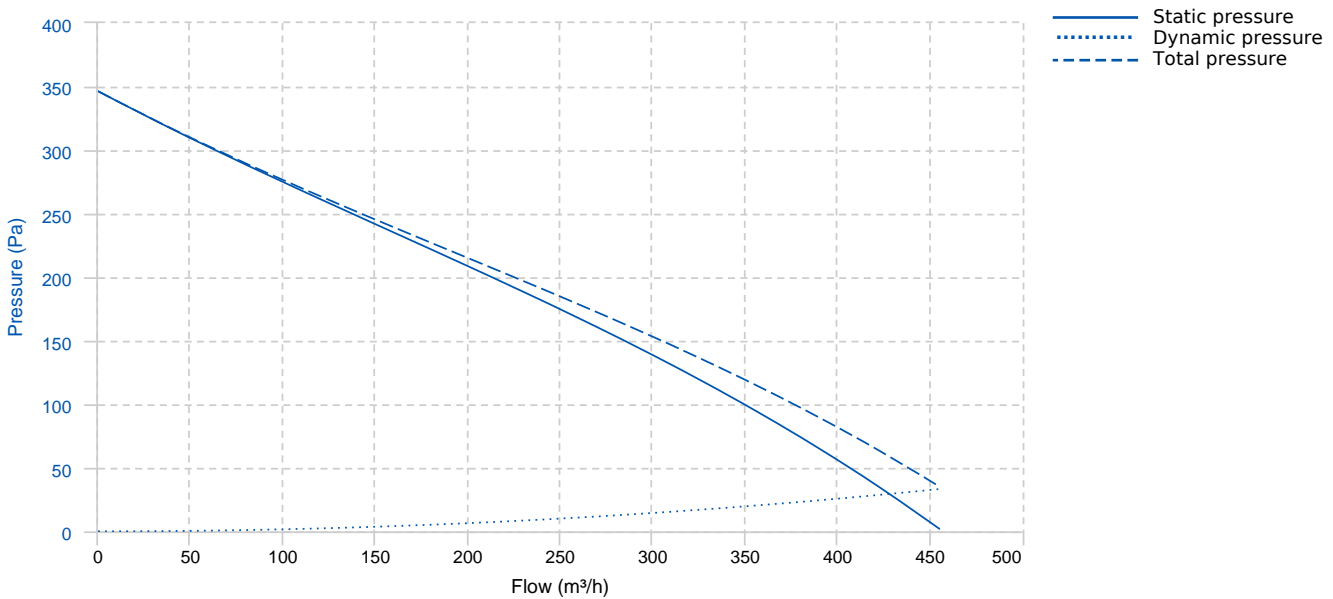
- Housing in galvanized sheet.
- Backward impeller dynamically balanced.
- External connection box.
- Single-phase asynchronous motor with external rotor, including thermal protector for automatic resetting and long-life permanent lubrication ball bearings (40,000 hours). Protection IP-44. Standard voltage 230V 50/60Hz (except 315 size which has different motor at 50Hz than 60Hz)
- Supplied with support feet (optional mounting)

APPLICATIONS:

Designed for duct installation, suitable for false ceiling, are indicated for:

- Renovation of air in bathrooms and small rooms.
- Maximum continuous working temperature: 50°C.
- Fan not suitable for transporting explosive gases.

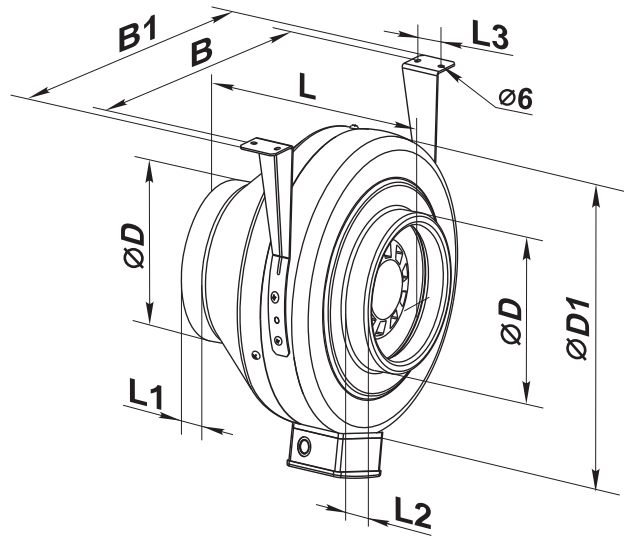
PERFORMANCE CURVE



TECHNICAL DATA

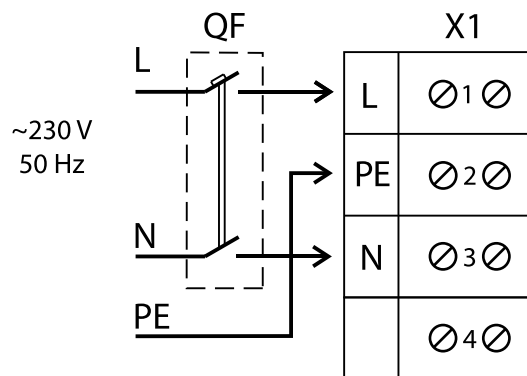
Fan					
RPM	2770	Approx. weight	3.5 kg	Max. Flow	455 m³/h
Motor					
Power	0,064 kW	RPM	2770	I max. (230V)	0,28 A

DIMENSIONS



Dimensions (mm)									
B	290	B1	330	L	170	L1	20	L2	20
L3	30	ØD	149	ØD1	274				

WIRING DIAGRAM



ACCESSORIES



MANUAL SINGLE PHASE SPEED CONTROLLER
REG 1,5A
REF: 960710015



SAFETY SWITCH
INT 25 3P A
REF: INT253PA



ANTI-VIBRATION JOINT
JE 45
REF: 300719201



MANUAL SINGLE PHASE SPEED CONTROLLER
REGD-1
REF: 300782600



CIRCULAR SOUND ATTENUATOR IN GALVANISED
STEEL
SILC-MINI 160
REF: SILCM160