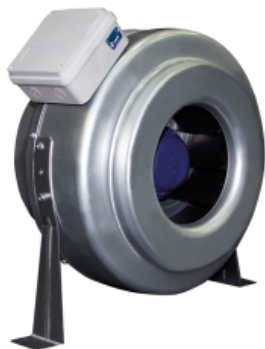


# BT-3 200 (509820000)

## GENERAL DATA



### CENTRIFUGAL IN LINE WITH EXTERNAL ROTOR MOTOR

#### MANUFACTURING FEATURES:

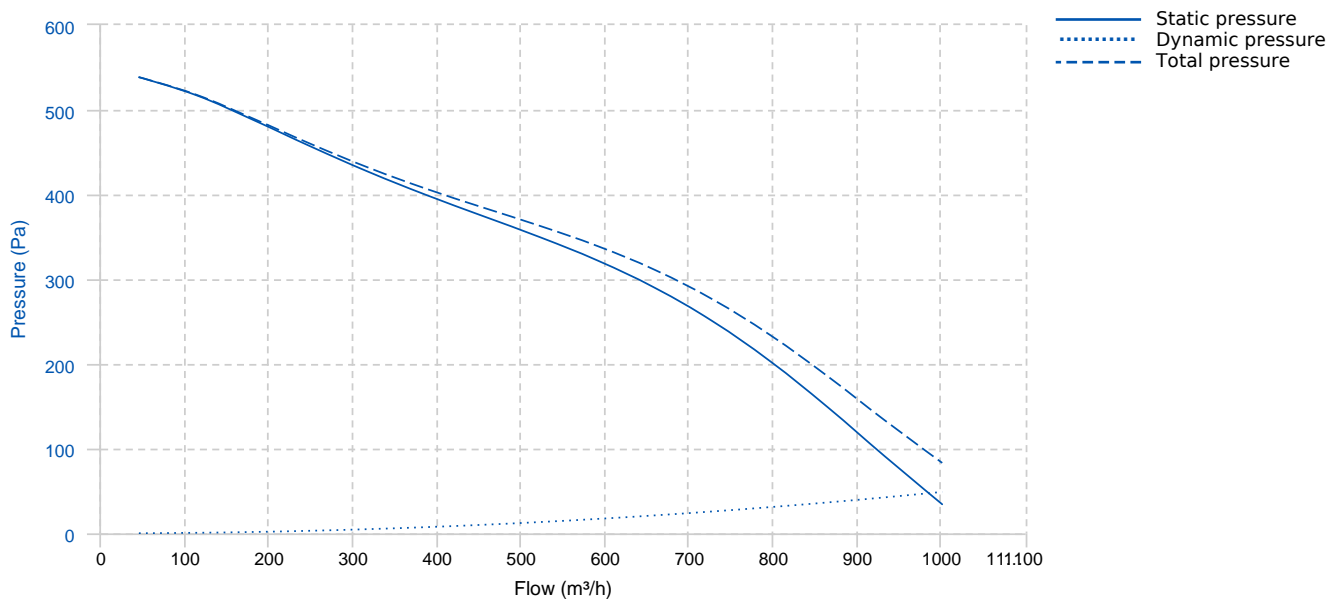
- Housing in galvanized sheet.
- Backward impeller dynamically balanced.
- External connection box.
- Single-phase asynchronous motor with external rotor, including thermal protector for automatic resetting and long-life permanent lubrication ball bearings (40,000 hours). Protection IP-44. Standard voltage 230V 50/60Hz (except 315 size which has different motor at 50Hz than 60Hz)
- Supplied with support feet (optional mounting)

#### APPLICATIONS:

Designed for duct installation, suitable for false ceiling, are indicated for:

- Renovation of air in bathrooms and small rooms.
- Maximum continuous working temperature: 50°C.
- Fan not suitable for transporting explosive gases.

## PERFORMANCE CURVE

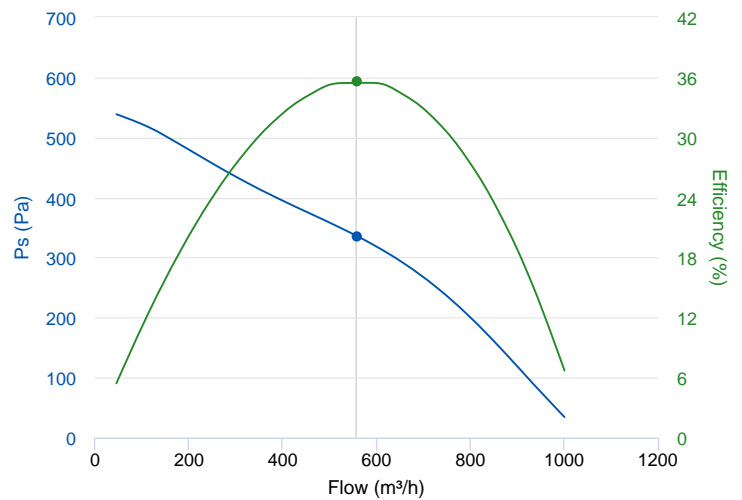


## TECHNICAL DATA

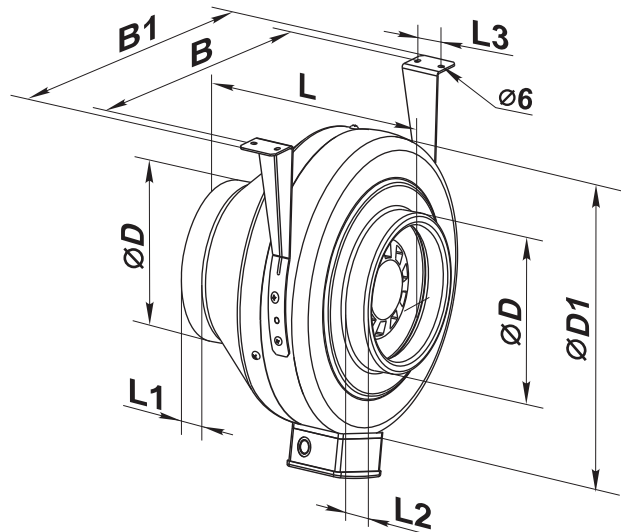
Fan					
RPM	2740	Approx. weight	5.43 kg	Max. Flow	1010 m³/h
Motor					
Power	0,157 kW	RPM	2740	I max. (230V)	0,69 A

## ERP DATA

Fan data sheet		
Fan type	Unit for non-residential ventilation (LOT 6)	
Typology	Unidirectional	
reports.other	None	
Type of driver	None	
Motor power (kW)	0.157	
	Fan values	ERP Requirements 2018
Max. efficiency (%)	35.59	30.23
Effic. Heat recovery (%)	-	
Pabs (kW)	0.15	
Flow (m³/h)	558.61	
Static pressure (Pa)	335.57	
Speed (m/s)	5.04	
SFP (W/m³/s)	965.48	

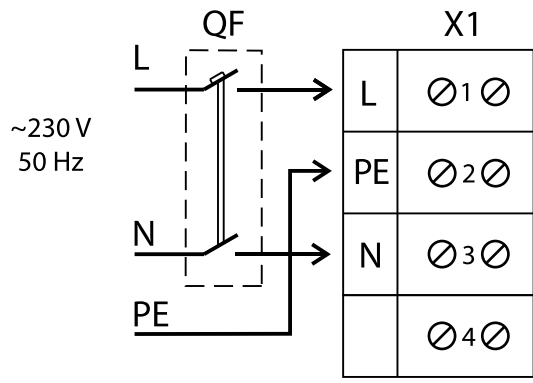


## DIMENSIONS



Dimensions (mm)									
B	340	B1	380	L	245	L1	25	L2	29
L3	40	ØD	198	ØD1	332				

**WIRING DIAGRAM**



**ACCESSORIES**



**MANUAL SINGLE PHASE SPEED CONTROLLER  
REG 1,5A  
REF: 960710015**



**SAFETY SWITCH  
INT 25 3P A  
REF: INT253PA**



**ANTI-VIBRATION JOINT  
JE 45  
REF: 300719201**



**MANUAL SINGLE PHASE SPEED CONTROLLER  
REGD-1  
REF: 300782600**



**CIRCULAR SOUND ATTENUATOR IN GALVANISED  
STEEL  
SILC-MINI 200  
REF: SILCM200**