

CTH3-A 315 M4 0,25kW F400 (279310103A)

GENERAL DATA



ROOF FAN, AL COWL, 400°C/2h

MANUFACTURING FEATURES

- Roof cowl made of aluminium
 - Structure, roof base support and bird protection guard made of galvanised steel.
 - High efficiency backward impeller with self-cleaning system of steel.
 - Standard asynchronous motor with IP-55 protection and Class F insulation.
- Manufactured with standard voltages: 230V 50Hz in single phase motors, 230/400V 50Hz in three phase motors and 400V 50Hz in 2 speed motors

APPLICATIONS

Specially designed for roof installation, they are suitable for:

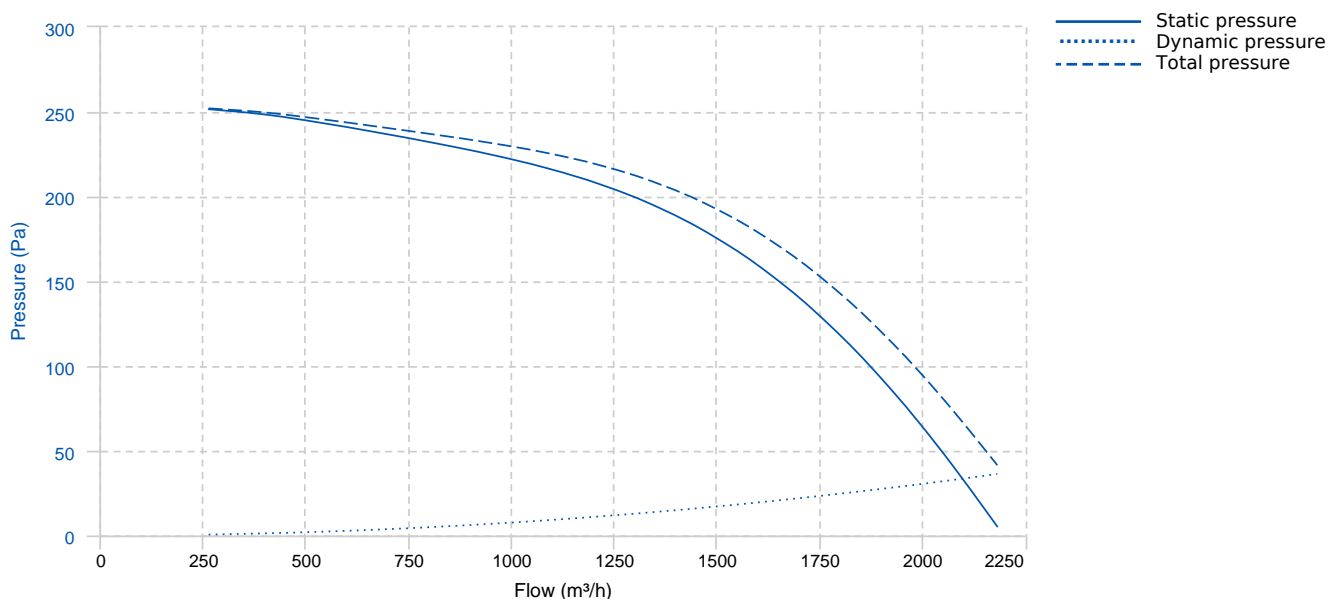
- Smoke extraction.
- Smoke emergency exhaust with motor outside the hazardous area.
- Air renewal in buildings and industries.
- Industrial and professional kitchen hoods.
- Maximum continuous working temperature: carried air 80°C, environment 60°C for three phase and 50°C for single phase motors.

UNDER REQUEST

- 60Hz and special voltages.
- Sparking proof fan with EEx_d certified motor.

Official homologation by the European laboratory APPLUS according to EN 12101-3:2015
Certification Nr: 0370-CPR-2656

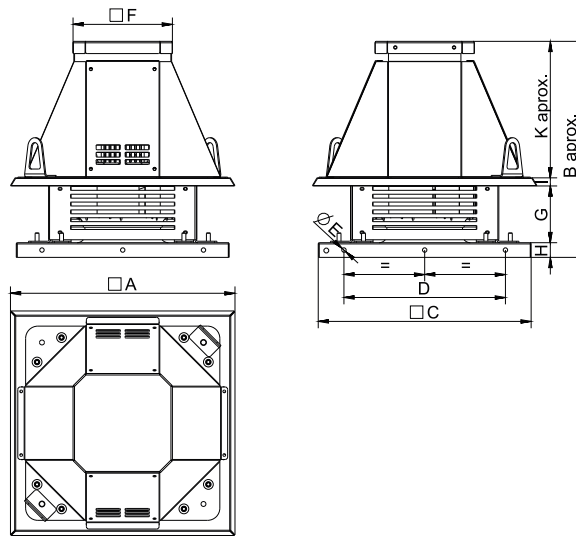
PERFORMANCE CURVE



TECHNICAL DATA

Fan							
RPM	1400	Approx. weight	15 kg	Max. Flow	2190 m ³ /h		
Motor							
Power	0,25 kW	RPM	1400	Capacitor	12μF 450V	I max. (230V)	1,93 A
Size	71	Approx. weight	5.5 kg	Efficiency (%)	61 %	FP	0.92

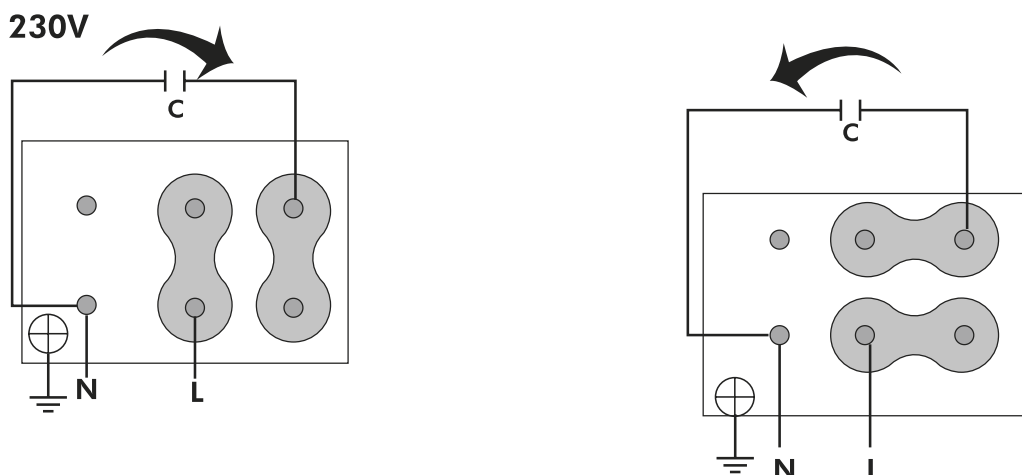
DIMENSIONS



Dimensions (mm)

A	583	B aprox	544,6	C	595	D	450	E	9
F	203	G	185,25	H	40	I	20,75	K aprox	298,5

WIRING DIAGRAM



ACCESSORIES



SAFETY SWITCH
INT 25 3P A
REF: INT253PA



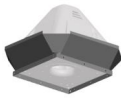
SAFETY SWITCH FOR 400°C/2h
INT 400 25A 3P
REF: 508902501



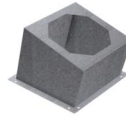
FIXING KIT FOR CTH3
KF 280-315
REF: 960004620



CTH3 TILTING KIT
KB 280-315
REF: 960004520

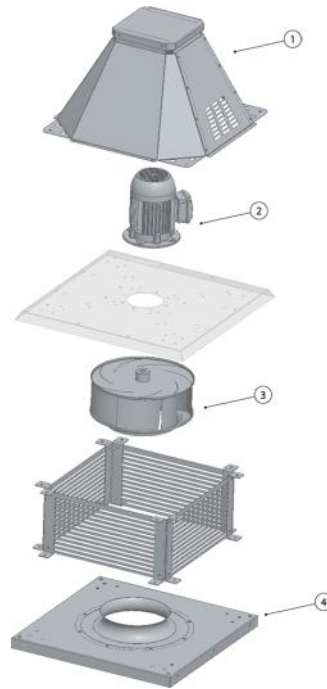


CTH3 VERTICAL DISCHARGE
KV CTH-3 280-315
REF: 960004720



INCLINED ROOF FAN SUPPORT
BTI 570
REF: 50870570XX

SPARE PARTS



	Code	Model	Qty
1	R-279228491	ROOF COWL CTH3-A 225-315	x1
2	720301126	MOTOR 0,25kW M4 B5 230V	x1
3	R-279319381	TURBINE THRE R63B1 315X90x14 RD	x1
4	R-279311772	INLET-FRAME CTH3 315	x1