

# DPT 500 (DPT500)

## GENERAL DATA



### DIFFERENTIAL PRESSURE TRANSMITTER

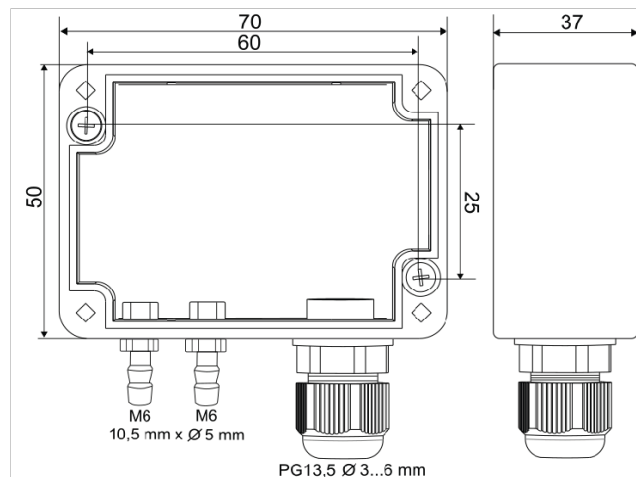
It provides a voltage signal (0-10V) proportional to the pressure measurement. It is used together with the SFC (frequency regulator) to control the pressure of an installation.

Power supply 24V. Input signal up to  $\pm 500$ Pa. Output signal 0-10V proportional.

## TECHNICAL DATA

approx. weight 0.05 Kg

## DIMENSIONS





**WIRING DIAGRAM**

