

## ENKELBOX 190 EEC (ENKBEC190)

### GENERAL DATA



#### CENTRIFUGAL BOX WITH EXTERNAL ROTOR EC MOTOR

##### MANUFACTURING FEATURES

- Inline ventilation box made of galvanized steel for duct connection.
- Plug-type fan with self-cleaning impeller with back curved blades (backward), high performance and single inlet, direct driven. Dynamically balanced to minimize noise and vibration. Polyamide reinforced impeller for models 155 and 190 and aluminum impellers for the rest.
- High efficiency (IE4 for three phase motors and IE5 for single motors), low noise external rotor EC motor. Speed control through a 0-10V or PWM signal. Single-phase 230V 50/60Hz power supply for models 155 to 310 and three-phase 400V 50/60Hz for sizes 355 and 450. IP54 motor and class B insulation.
- The box is supplied with a safety switch with potentiometer for a total regulation
- Circular suction mouth to facilitate duct connection. Open outlet.

##### APPLICATIONS

Designed for duct installation, they are indicated for:

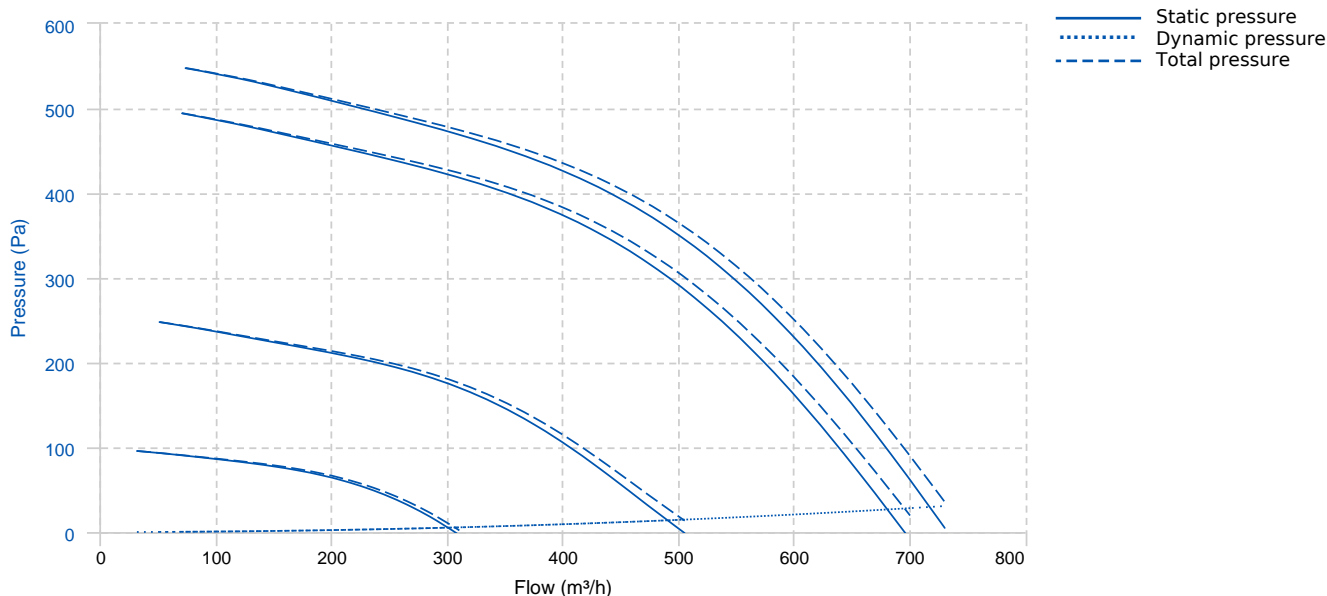
- Air renewals in simple flow residential, commercial and controlled mechanical ventilation (CMV) applications.

Working temperature range from -20°C to 60°C.

##### UNDER REQUEST

- Fan (size between 250 and 450) with k-factor reading.

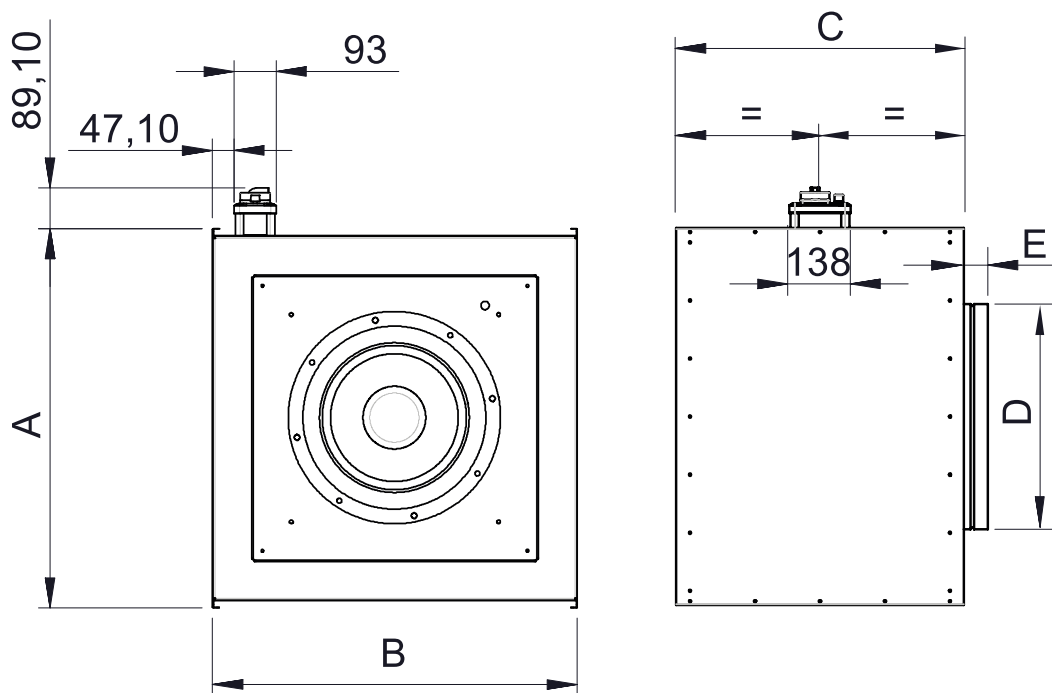
### PERFORMANCE CURVE



### TECHNICAL DATA

| Fan   |         |                |        |               |          |                |        |
|-------|---------|----------------|--------|---------------|----------|----------------|--------|
| RPM   | 3570    | Approx. weight | 8.6 kg | Max. Flow     | 740 m³/h |                |        |
| Motor |         |                |        |               |          |                |        |
| Power | 0,09 kW | RPM            | 3570   | I max. (230V) | 0,6 A    | Approx. weight | 2.6 kg |

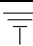
## DIMENSIONS




### Dimensions (mm)

|   |     |   |     |   |     |   |     |   |    |
|---|-----|---|-----|---|-----|---|-----|---|----|
| A | 353 | B | 384 | C | 270 | D | 200 | E | 54 |
|---|-----|---|-----|---|-----|---|-----|---|----|

## WIRING DIAGRAM

| Nº | Signal Señal | Colour Color                | Specification Especificación  |
|----|--------------|-----------------------------|---|
| 1  | L            | Brown Marrón                | AC 220V/50Hz  |
| 2  | N            | Blue Azul                   | AC 220V/50Hz  |
| 3  | Pe           | Yellow-Green Amarillo-Verde |  |

| Nº | Signal Señal | Colour Color    | Specification Especificación  |
|----|--------------|-----------------|---|
| 1  | GND          | Blue Azul       |  |
| 2  | Vsp          | Yellow Amarillo | 0-10 V/PWM  |
| 3  | Vcc          | Red Rojo        | DC 10V  |
| 4  | FG           | White Blanco    | 1 Pulse/R   |

## ACCESSORIES



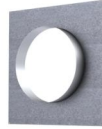
**SPEED CONTROLLER FOR EEC MOTOR**  
REGC  
REF: FX263300



**CIRCULAR OUTDOOR FLANGE WITH BIRD GUARD**  
VISC Ø200  
REF: FX0050064



**OUTLET BLIND COVER FOR ENKELBOX EEC &  
ENKELBOX PLUS EEC  
TIC ENKB 190  
REF: TICEB190**



**OUTLET ROUND COVER FOR ENKELBOX EEC &  
ENKELBOX PLUS EEC  
TBIC ENKB 190  
REF: TBICEB190**