

ENKELBOX 355 EEC (ENKBEC355)

GENERAL DATA



CENTRIFUGAL BOX WITH EXTERNAL ROTOR EC MOTOR

MANUFACTURING FEATURES

- Inline ventilation box made of galvanized steel for duct connection.
- Plug-type fan with self-cleaning impeller with back curved blades (backward), high performance and single inlet, direct driven. Dynamically balanced to minimize noise and vibration. Polyamide reinforced impeller for models 155 and 190 and aluminum impellers for the rest.
- High efficiency (IE4 for three phase motors and IE5 for single motors), low noise external rotor EC motor. Speed control through a 0-10V or PWM signal. Single-phase 230V 50/60Hz power supply for models 155 to 310 and three-phase 400V 50/60Hz for sizes 355 and 450. IP54 motor and class B insulation.
- The box is supplied with a safety switch with potentiometer for a total regulation
- Circular suction mouth to facilitate duct connection. Open outlet.

APPLICATIONS

Designed for duct installation, they are indicated for:

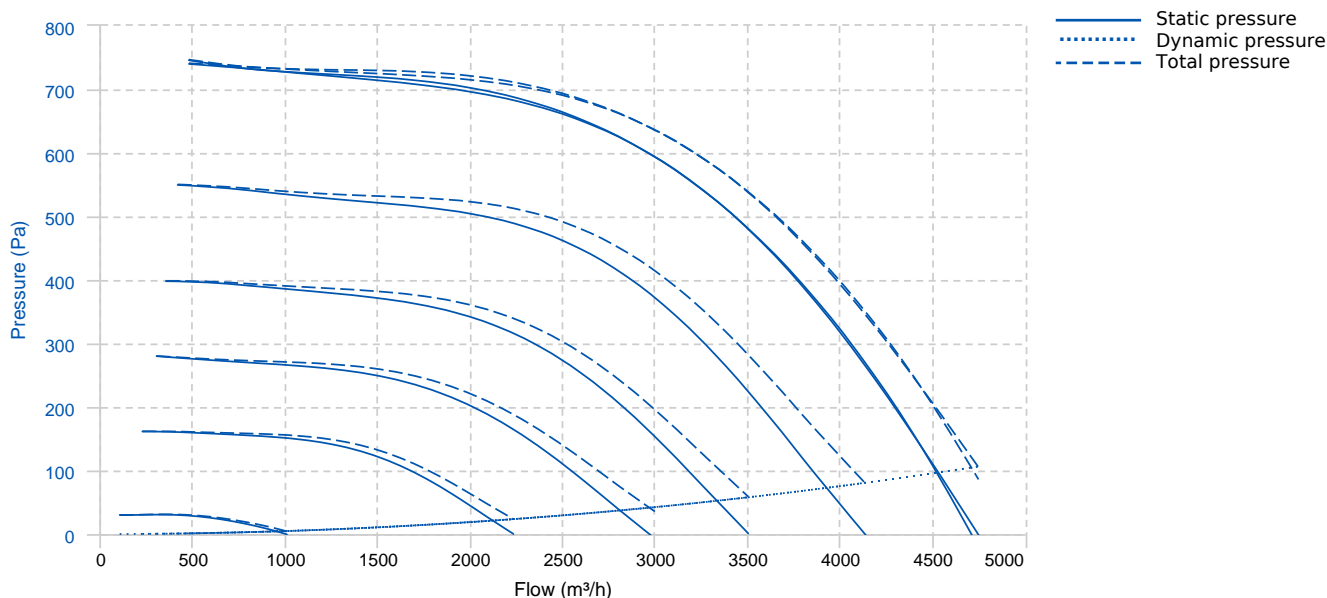
- Air renewals in simple flow residential, commercial and controlled mechanical ventilation (CMV) applications.

Working temperature range from -20°C to 60°C.

UNDER REQUEST

- Fan (size between 250 and 450) with k-factor reading.

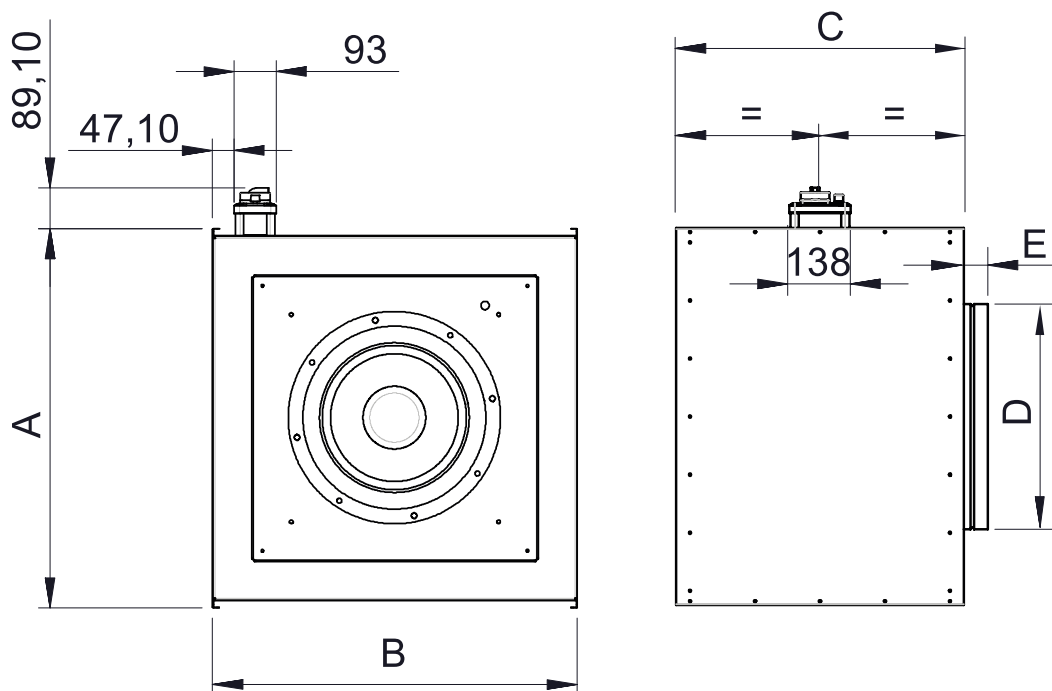
PERFORMANCE CURVE



TECHNICAL DATA

Fan							
RPM	2100	Approx. weight	34 kg	Max. Flow	4750 m³/h		
Motor							
Power	0,99 kW	RPM	2100	I max. (400V)	1,63 A	Approx. weight	10.5 kg


DIMENSIONS




Dimensions (mm)

A	653	B	684	C	565	D	400	E	64
---	-----	---	-----	---	-----	---	-----	---	----

WIRING DIAGRAM

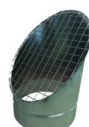
Nº	Signal Señal	Colour Color	Specification Especificación
1	L1	Black Negro	AC380V-50/60Hz
2	L2	Black Negro	AC380V-50/60Hz
3	L3	Black Negro	AC380V-50/60Hz
4	Pe	Yellow-Green Amarillo-Verde	

Nº	Signal Señal	Colour Color	Specification Especificación
1	Vcc	Red Rojo	DC10V
2	Vsp	Yellow Amarillo	0-10VDC/PWM
3	GND	Blue Azul	
4	FG	White Blanco	12 Pulse/R

ACCESSORIES



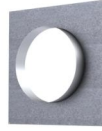
SPEED CONTROLLER FOR EEC MOTOR
REGC
REF: FX263300



CIRCULAR OUTDOOR FLANGE WITH BIRD GUARD
VISC Ø400
REF: FX0045452



**OUTLET BLIND COVER FOR ENKELBOX EEC &
ENKELBOX PLUS EEC**
TIC ENKB 355
REF: TICEB355



**OUTLET ROUND COVER FOR ENKELBOX EEC &
ENKELBOX PLUS EEC**
TBIC ENKB 355
REF: TBICEB355