

ENKELROOF 250 EEC (ENKREC250)

GENERAL DATA

ROOF FAN WITH ABS COWL

MANUFACTURING FEATURES:



- ABS protection cowl easily removable for motor and impeller maintenance thanks to the integrated folding system. The ABS cowl is characterized by its toughness, impact resistance and ability to withstand extreme temperatures. 100% of the ABS used in the cowl is recycled.
- Structure in anticorrosive galvanized steel and support frame for adaptation to the roof with anti-bird protection grid.
- High-efficiency backward-curved blade impeller with self-cleaning system. Reinforced polyamide impeller for models 155, 190 and 220. The rest of the models in aluminum.
- EC technology uses integral electronic control to ensure that the motor always runs at optimal load and ensures efficient energy utilization. It incorporates an external rotor EC motor with high efficiency and low noise level. Speed control through a 0-10V or PWM signal. 230V 50/60Hz single-phase power supply for models 155 to 310 and 400V 50/60Hz three-phase power supply for sizes 355 and 450. IP54 and motor class B insulation.

APPLICATIONS

Designed for deck or roof mounting, they are indicated for:

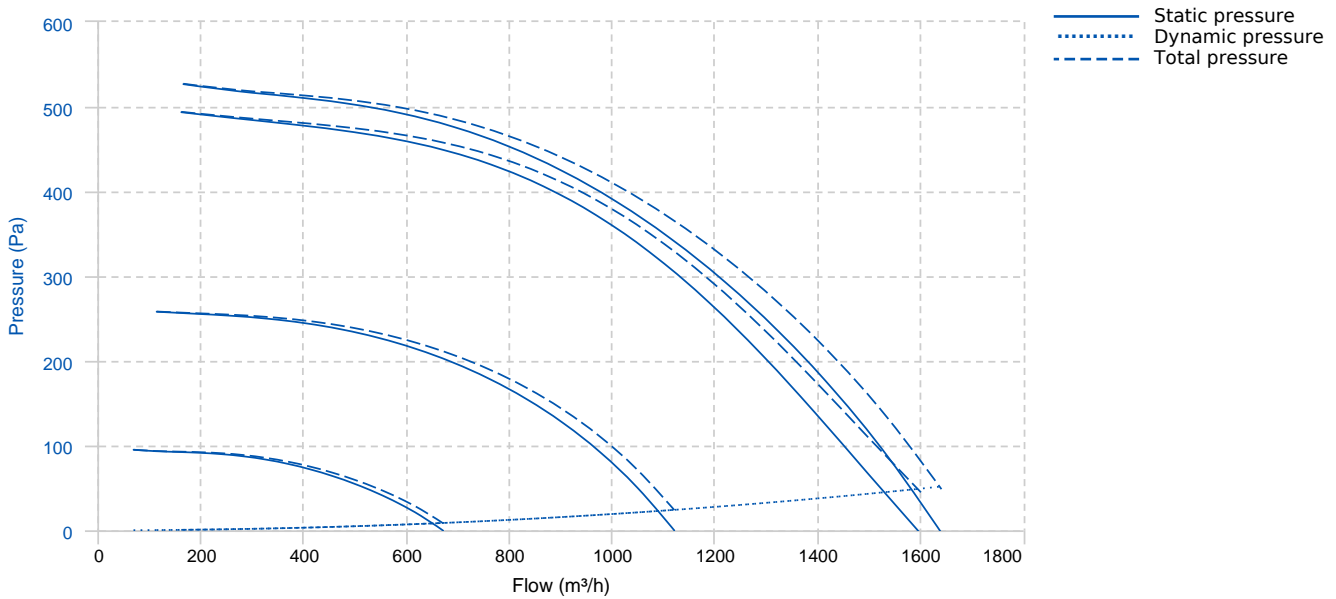
- Smoke extraction.
- Air renewal in all types of buildings and industries.
- Working temperature range from -25°C to 60°C.

UNDER REQUEST

- Fan (size between 250 and 450) with k-factor reading.

*Available in June

PERFORMANCE CURVE



TECHNICAL DATA

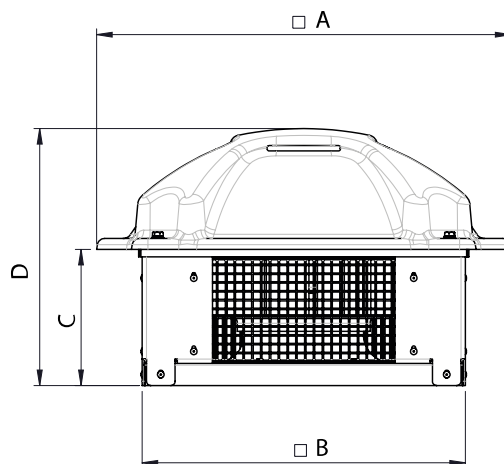
Fan

RPM	2500	Approx. weight	9 kg	Max. Flow	1640 m³/h
-----	------	----------------	------	-----------	-----------

Motor

Power	0,145 kW	RPM	2500	I max. (230V)	1 A	Approx. weight	3.1 kg
-------	----------	-----	------	---------------	-----	----------------	--------

DIMENSIONS




Dimensions (mm)

A	565	B	441	C	185.5	D	305
---	-----	---	-----	---	-------	---	-----

WIRING DIAGRAM

Nº	Signal Señal	Colour Color	Specification Especificación
1	L	Brown Marrón	AC 220V/50Hz
2	N	Blue Azul	AC 220V/50Hz
3	Pe	Yellow-Green Amarillo-Verde	

Nº	Signal Señal	Colour Color	Specification Especificación
1	GND	Blue Azul	
2	Vsp	Yellow Amarillo	0-10 V/PWM
3	Vcc	Red Rojo	DC 10V
4	FG	White Blanco	1 Pulse/R

ACCESSORIES



**SPEED CONTROLLER FOR EEC MOTOR
REGC**
REF: FX263300



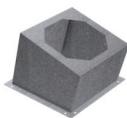
**CIRCULAR-CIRCULAR ANTI-VIBRATION FLANGE
BAD 8**
REF: 960003458



**CONNECTION FLANGE
AC 250**
REF: 960003208



**SPEED CONTROLLER WITH SAFETY SWITCH FOR
EEC MOTOR
PMR 25A**
REF: PMREEC



**INCLINED ROOF FAN SUPPORT
BTI 410**
REF: 50870410XX

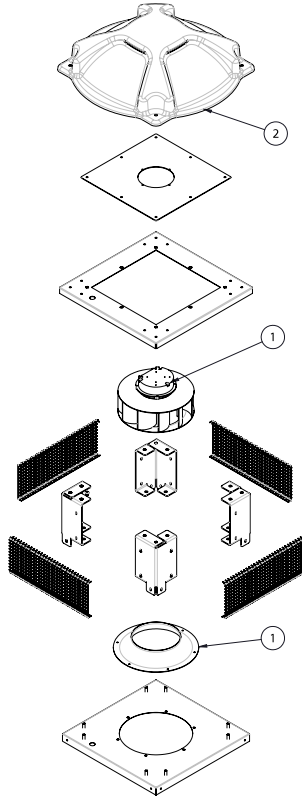


**ENKELROOF VERTICAL DISCHARGE
KV ENKELROOF 250**
REF: KVENKR250



**CIRCULAR SOUND ATTENUATOR IN GALVANISED
STEEL
SILC-MINI 250 C**
REF: SILCM250C

SPARE PARTS



	Code	Model	Qty
1	241263017	MOTOR-FAN+INLET CONE Ø250 230V 50/60Hz	x1
2	279254478	ROOF COWL ENKELROOF 220-250	x1