

# HJBM PLUS 35 M4 0,12kW (268363103)

## GENERAL DATA



SQUARE WALL PLATE FAN, VARIABLE PITCH BLADES AND HIGH EFFICIENCY MOTOR

### MANUFACTURING FEATURES

- Square plate made of galvanized steel sheet with polyester painting.
- Variable pitch angle polyamide impeller reinforced with fibreglass.
- Supplied with motor support and protection guard according to the UNE-EN 20-359-74 norm and the ROHS 2002/95/EC Directive (Restriction of the Use of Certain Hazardous Substances in Electrical and Electronic Equipments).
- High efficiency standard asynchronous squirrel-cage motor with IP-55 or IP-54 protection (wiring box IP-65) and Class F insulation. Manufactured with standard voltages: 230V 50Hz for the single phase motors and 230/400V 50Hz for the three phase motors.

### APPLICATIONS

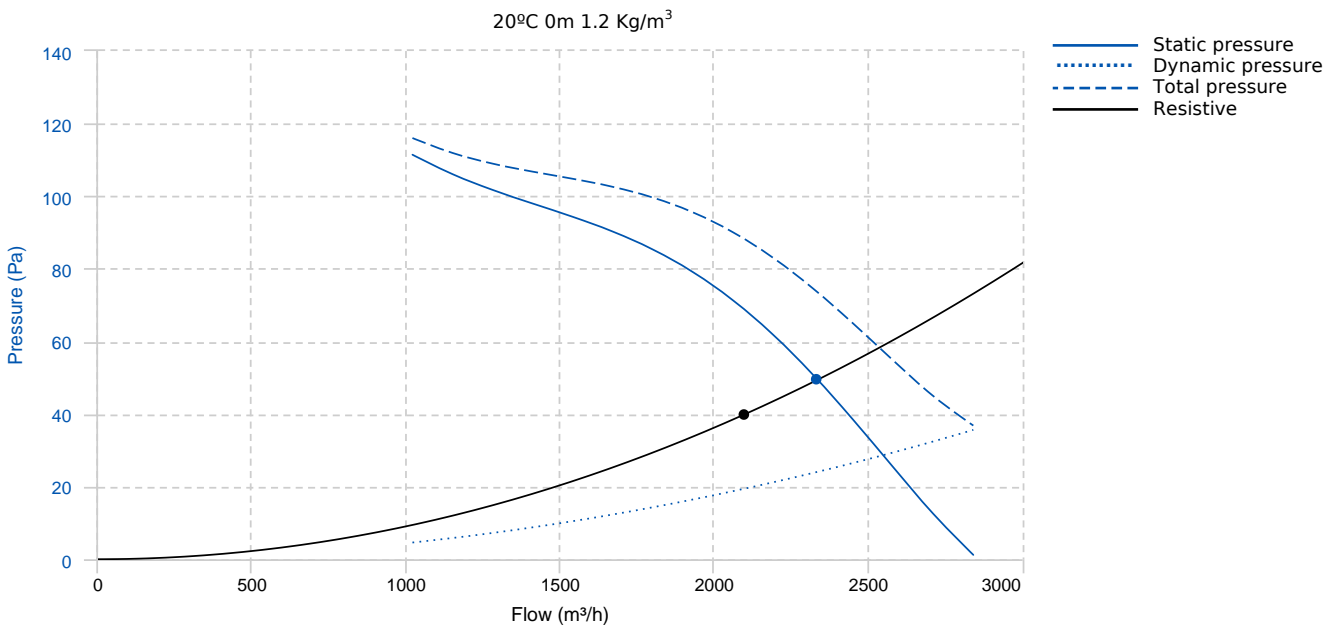
Designed for wall assembly, they are suitable for:

- Air renewal in buildings and industries.
- Maximum working temperature: single phase 50°C, three phase 60°C.

### UNDER REQUEST

- Aluminium impeller.
- 60Hz fans.

## PERFORMANCE CURVE



### Design point

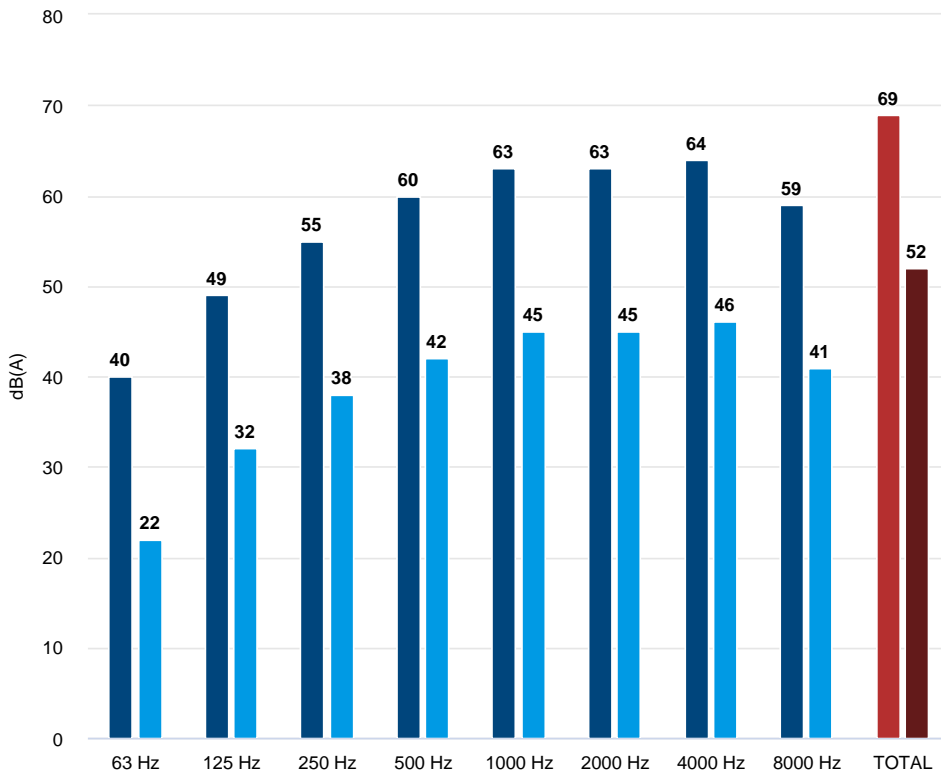
Flow (m <sup>3</sup> /h)	2100	Pressure (Pa)	40
--------------------------	------	---------------	----

Service point							
Angle	35	T.max (°C)	50	Q (m³/h)	2334.74	Ps (Pa)	49.44
Pd (Pa)	24.08	Pt (Pa)	73.52	Speed (m/s)	6.34	Security coefficient	1.38
Fan total efficiency	27.94	Mechanical total efficiency	54.8	Pabs (kW) 1.2 kg/m³	0.17	Pw.mec (kW)	0.09
SFP (W//s) 1.2 kg/m³	0.26						

## TECHNICAL DATA

Fan							
RPM	1380	Approx. weight	6.5 kg	Max. Flow	2850 m³/h		
Motor							
Power	0,12 kW	RPM	1380	Capacitor	6µF 450V	I max. (230V)	1,15 A
Size	63	Approx. weight	4 kg	Efficiency (%)	57 %	FP	0.92

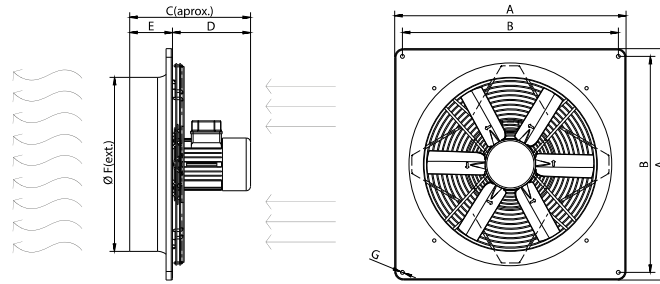
## ACOUSTIC DATA



Sound power	
63 Hz	40
125 Hz	49
250 Hz	55
500 Hz	60
1000 Hz	63
2000 Hz	63
4000 Hz	64
8000 Hz	59
TOTAL	69

Sound pressure 3m (in) Q=2	
63 Hz	22
125 Hz	32
250 Hz	38
500 Hz	42
1000 Hz	45
2000 Hz	45
4000 Hz	46
8000 Hz	41
TOTAL	52

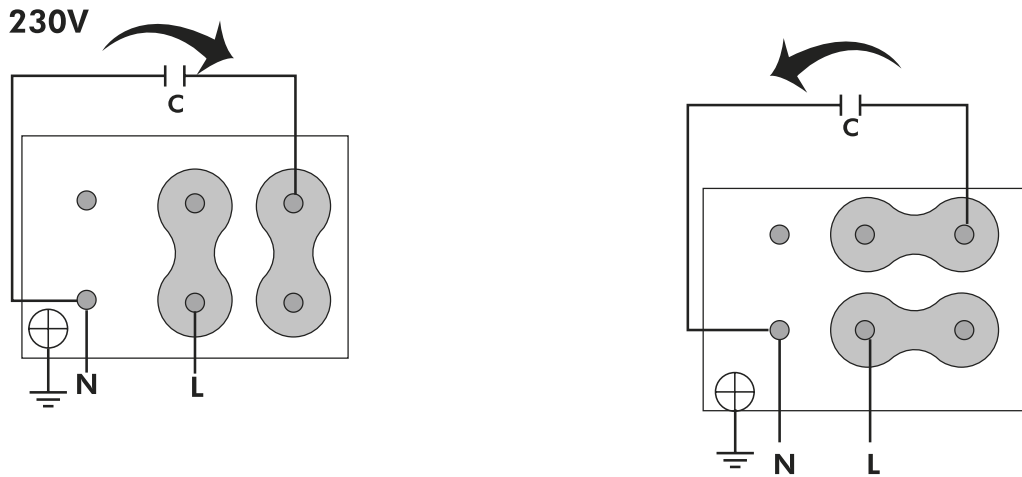
## DIMENSIONS



### Dimensions (mm)

A	460	B	392	C	269,8	D	183,8	E	86
ØF	366	ØG	9						

## WIRING DIAGRAM



## ACCESSORIES



**SAFETY SWITCH**  
INT 25 3P A  
REF: INT253PA



**Outlet protection guard for axial fans**  
RPO 35  
REF: 980000035

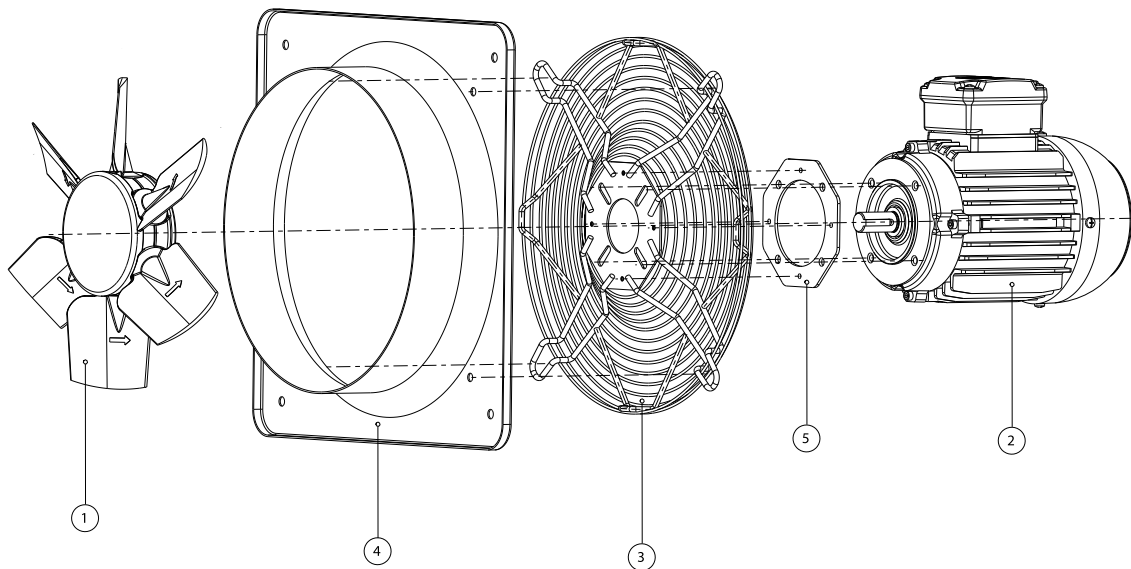


**PLASTIC GRAVITY SHUTTER**  
**PCP 35**  
**REF: 963230105**



**ALUMINIUM GRAVITY SHUTTER**  
**PC2 40**  
**REF: PC24040**

**SPARE PARTS**



	Code	Model	Qty
1	R-H35006135PSTD	IMPELLER 350:AP0:6 G35 D11	x1
2	720301113	MOTOR 0,12kW M4 B14 230V	x1
3	R-268351902	PROTECTION GRID HJBM35	x1
4	R-265351778A001	FRAME HJEM-HJBM35	x1
5	R-268401909	SUPPORT MOTOR DISC HJBM25-30-35-40 T.63	x1