

# HJEM 35 M4 (265351103)

## GENERAL DATA



SQUARE WALL PLATE FAN

MANUFACTURING FEATURES

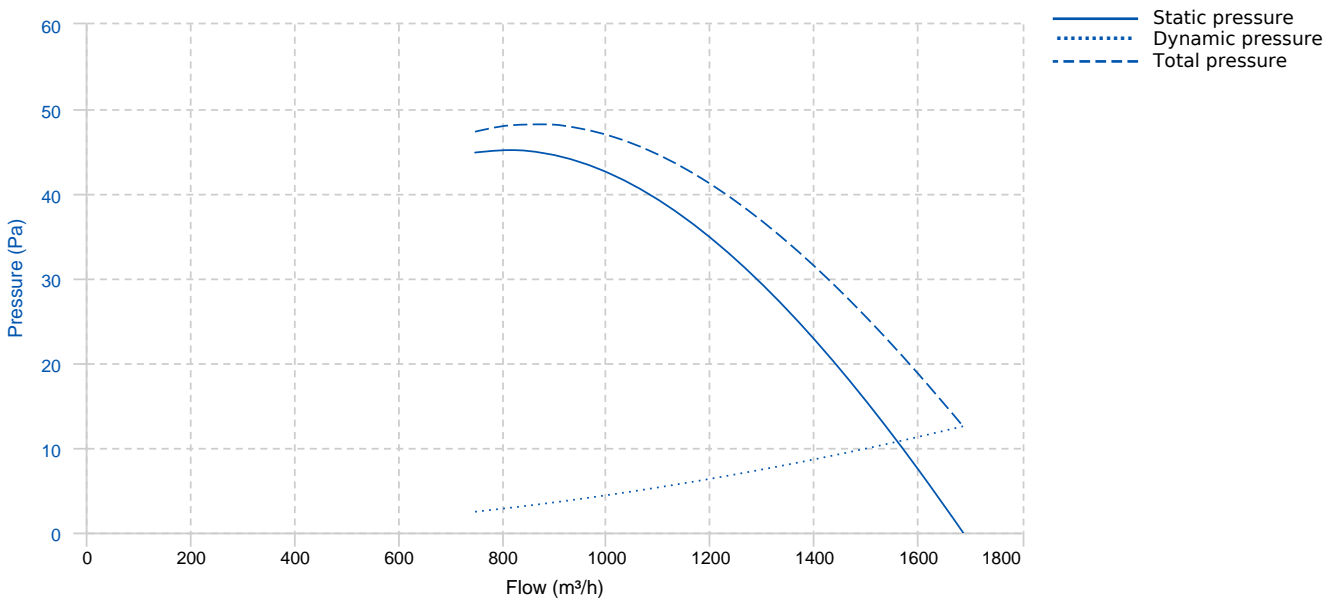
- Square plate made of galvanized steel sheet.
- Aluminium sheet impeller.
- Supplied with motor support and protection guard according to the UNE-EN 294 standard.
- Shaded-pole asynchronous motor, rated Class F isolation and IP-42.

APPLICATIONS

Designed for wall assembly, they are suitable for:

- Air renewal in all kind of closed environments.
- Maximum working temperature: 50°C.

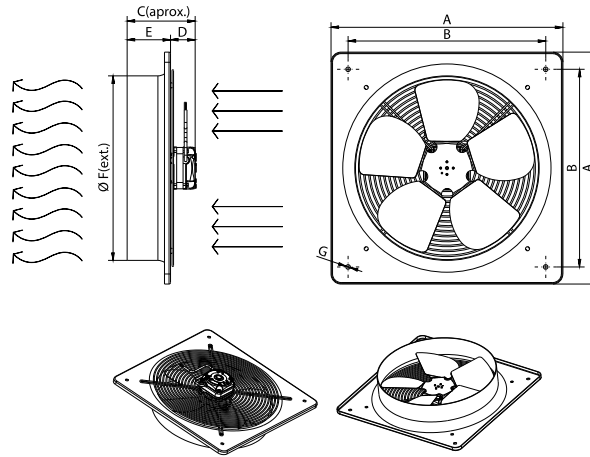
## PERFORMANCE CURVE



## TECHNICAL DATA

Fan					
RPM	1300	Approx. weight	4 kg	Max. Flow	1690 m³/h
Motor					
Power	0,034 kW	RPM	1300	I max. (230V)	0,75 A

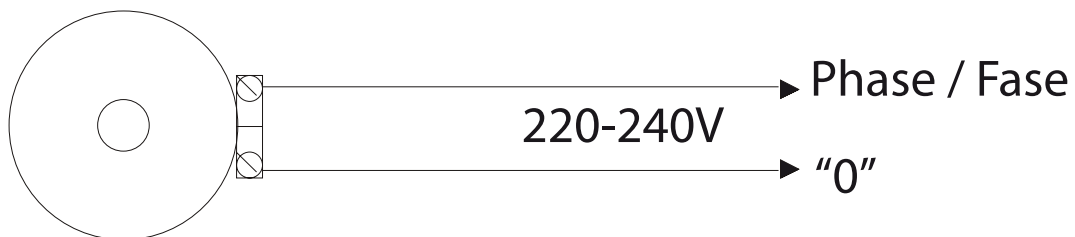
## DIMENSIONS



### Dimensions (mm)

A	460	B	392	C	160	D	74	E	86
ØF	361	ØG	9						

## WIRING DIAGRAM



## ACCESSORIES



**MANUAL SINGLE PHASE SPEED CONTROLLER**  
**REG 1,5A**  
**REF: 960710015**



**SAFETY SWITCH**  
**INT 25 3P A**  
**REF: INT253PA**

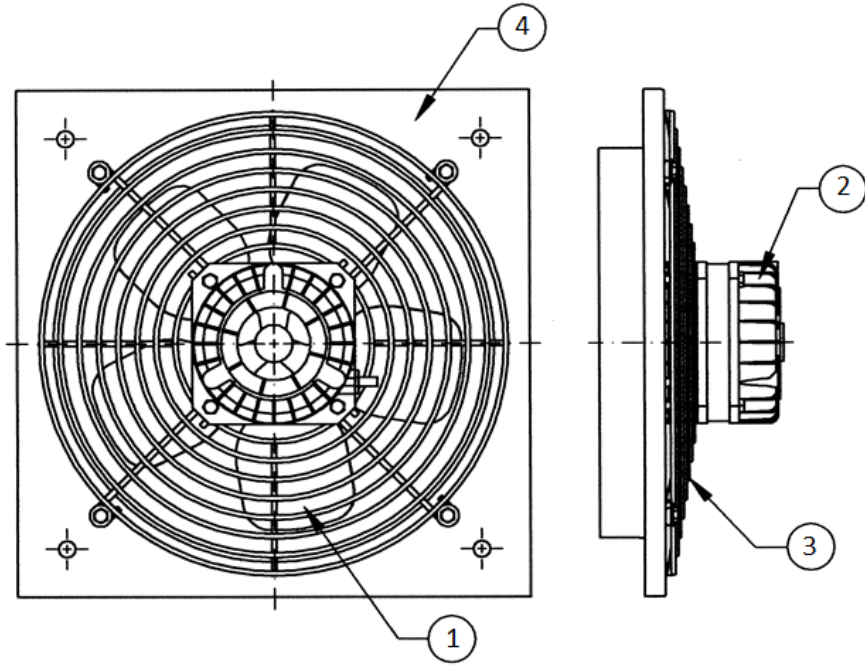


**Outlet protection guard for axial fans**  
**RP0 35**  
**REF: 980000035**



**MANUAL SINGLE PHASE SPEED CONTROLLER**  
**REGD-1**  
**REF: 300782600**

**SPARE PARTS**



	Code	Model	Qty
1	265303650	IMPELLER HJEM35 350/20 ALUMINIO	x1
2	720001012	MOTOR 34W M4 230V (HJEM)	x1
3	265351905	PROTECTION GRID HJEM35	x1
4	265351778A001	FRAME HJEM-HJBM35	x1