

PMR 25A (PMREEC)

GENERAL DATA



SPEED CONTROLLER WITH SAFETY SWITCH FOR EEC MOTOR

CONSTRUCTIVE FEATURES

- Remote control of speed regulator for EEC motors.
- Allows you to adjust the flow in a range from 0 to 100%, at a maximum distance of 10m.
- Stop-start safety switches according to IEC 60947-1 and IEC 60947-3.
- IP66 and always equipped with an auxiliary contact.
- Useful for cutting off the power before handling the fan.
- Working temperature from 0 to 40°C.

TECHNICAL DATA

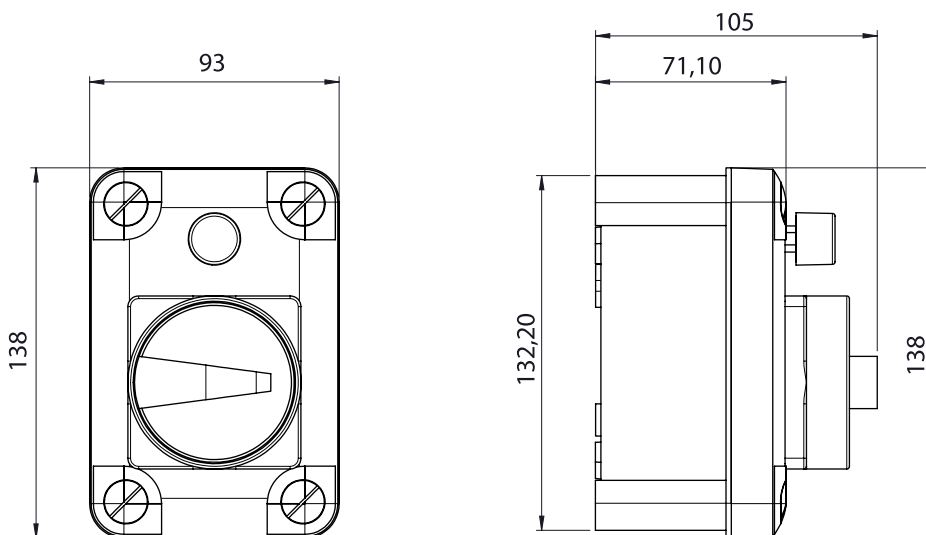
approx. weight

0.50 Kg

I

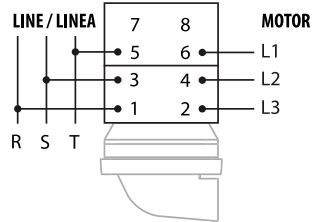
25 A

DIMENSIONS

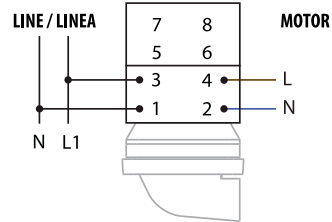


WIRING DIAGRAM

Three phase motor / Motores trifásicos



Single phase motor / Motores monofásicos



Potentiometer / Potenciómetro

Colour / Color	Signal / Señal
Blue / Azul	GND → 0V
Black / Negro	Output → 0 - 10V
Red / Rojo	Vcc → 10V