

TEKSTÜR 100 T (TEKS100T)

GENERAL DATA



HIGH-END EXTRACTOR WITH TIMER AND AUTOMATIC BACK DRAUGHT DAMPER FOR CEILING AND WALL INSTALLATION

MANUFACTURING FEATURES:

High-end design extractor according to European industrial fashion canons with a smooth double textured front panel. By not carrying a grid and having a double textured shell, dust and dirt particles do not adhere easily, making it easier to clean the extractor. For wall or ceiling installation.

High airflow rate, low noise level of operation and low energy consumption due to optimized wing-shaped profile blades and motor support designed to favor the passage of extracting air flow.

Housing and impeller made of UV-resistant ABS plastic (prevents aging caused by exposure to sunlight). Self-lubricated bushings motor protected against thermal overload. Maximum working temperature in continuous: 50°C.

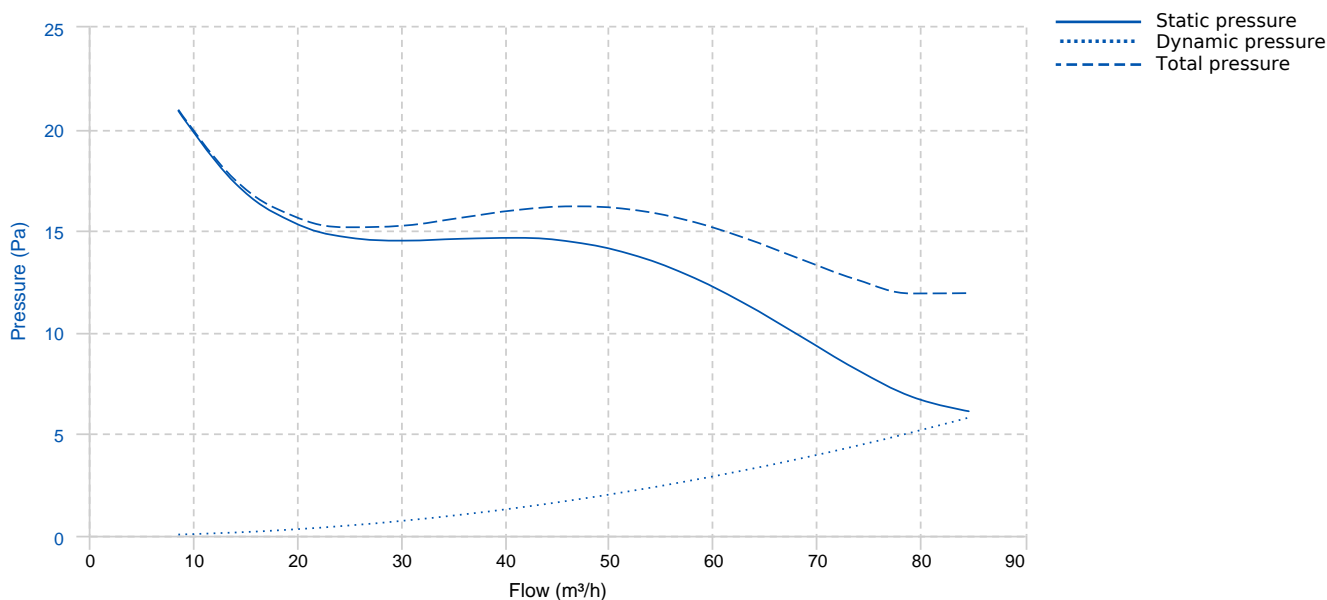
IPX4 protection. IMQ Safety certificate to guaranty the electromechanical compatibility.

APPLICATIONS:

Ideal for living rooms, bathrooms, and any design “high-end” space where the fan goes unnoticed by its nice modern design.

To be installed in ventilation ducts. Compatible with 100 and 125 air ducts.

PERFORMANCE CURVE



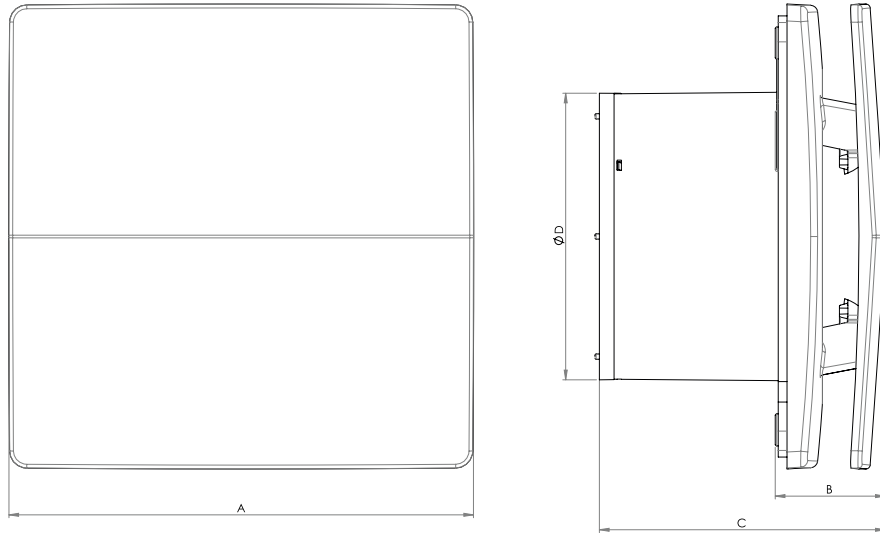
TECHNICAL DATA

Fan

RPM	2400	Approx. weight	0.58 kg	Max. Flow	90 m³/h
-----	------	----------------	---------	-----------	---------

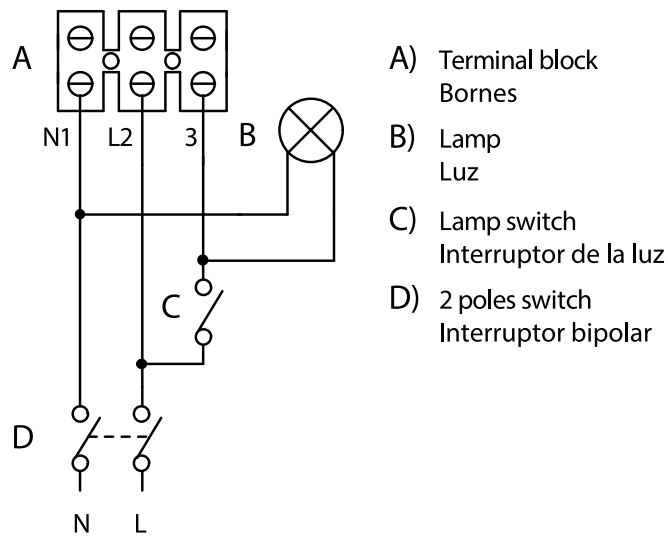
Motor					
Power	1. 4999999999999999 999E-2 kW	RPM	2400	I max. (230V)	0,09 A

DIMENSIONS



Dimensions (mm)							
A	159	B	38	C	98	D	98

WIRING DIAGRAM





ACCESSORIES