

Kol. Opis

1 ALPHA1 L 25-40 180



Paznja! Slika proizvoda se može razlikovati od stvarnog proizvoda

Proizvodni broj: [99160579](#)

Grundfos ALPHA1 L 25-40 180 is a high-efficiency circulator pump with permanent-magnet motor (ECM technology).

The pump features three control modes; radiator heating mode, underfloor heating mode and constant curve/constant speed.

Furthermore, the speed can be controlled by a low-voltage PWM (Pulse Width Modulation) signal.

The pump has a ceramic shaft and radial bearings, carbon thrust bearing, stainless-steel rotor can, bearing plate and rotor cladding, composite impeller, all of which contribute to long life, and the pump is self-venting, which contributes to easy commissioning as well as simple selection of control mode.

The compact design featuring pump head with integrated control box and control panel fits into most common installations as well as boilers.

The pump and motor form an integral unit without shaft seal. The pump is of the wet-runner design. This means the bearings are lubricated by the pumped liquid. These constructions ensure maintenance-free operation.

The pump housing is made of cast iron and is electrocoated to improve the corrosion resistance.

The motor is a synchronous permanent-magnet rotor/compact-stator motor. The pump controller is incorporated in the control box, which is fitted to the stator housing and connected to the stator via a terminal plug.

Features ALPHA1 L

- Three constant curves/constant speed.
- Radiator heating mode.
- Underfloor heating mode.
- PWM profile for heating applications (profile A). The PWM signal is a method for generating an analog signal using a digital source.
- Energy-optimised, complies with the ErP directive
- Unblocking screw, accessible from the front of the control box.
- Runs reliably and efficiently under even the most demanding conditions
- Adjustable and flexible installer plug, with two possible cable gland positions.

Tečnost:

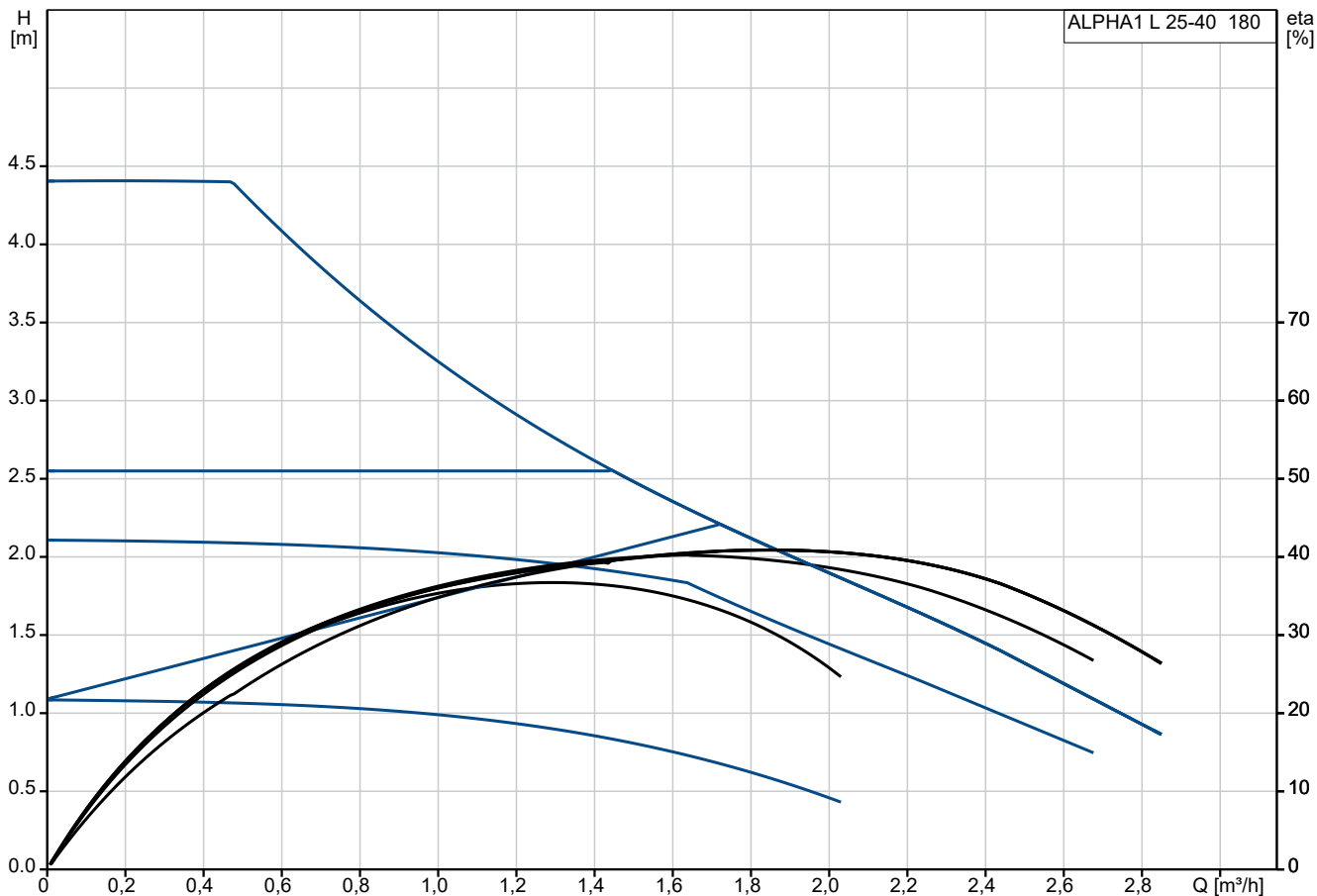
Dizana tečnost: voda  
Raspon temperature tečnosti: 2 .. 95 °C  
Selected liquid temperature: 60 °C  
Gustina: 983.2 kg/m<sup>3</sup>

Tehnički:

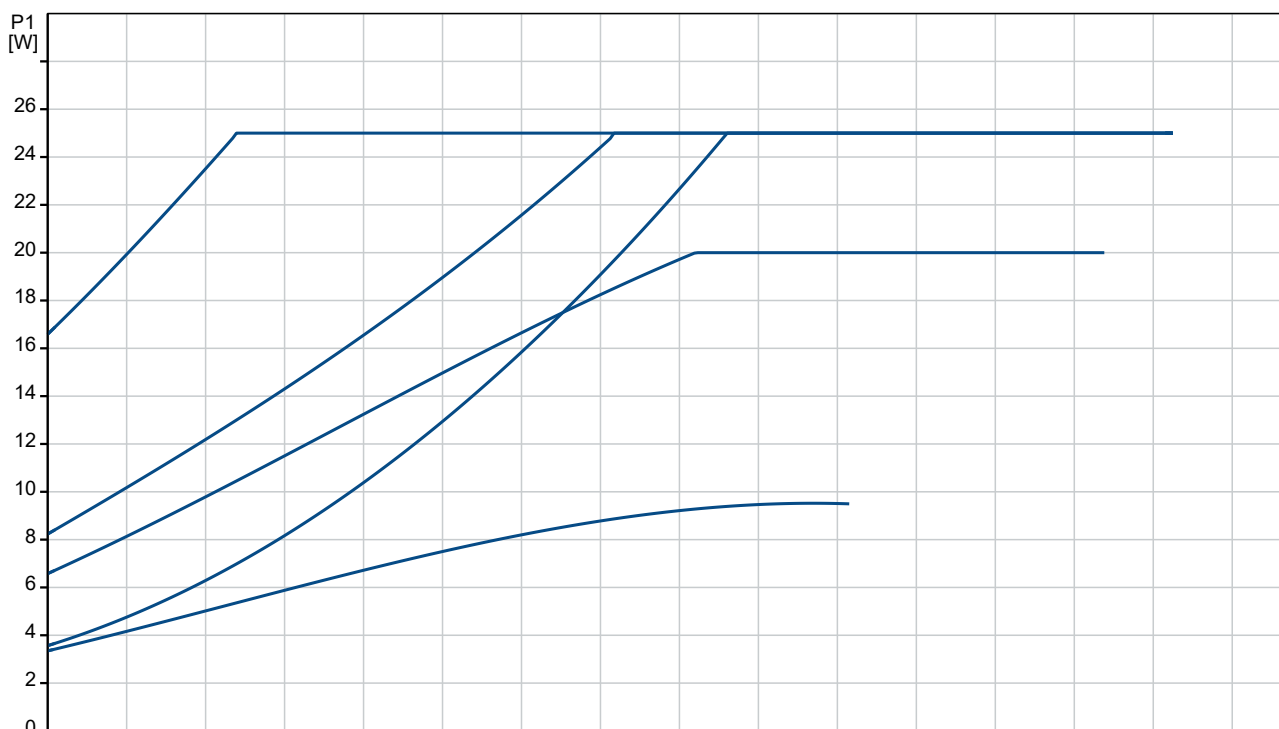
Nazivni protok: 1.8 m<sup>3</sup>/h  
Rated head: 2.01 m  
TF klasa: 95

Kol.	Opis
1	<p>Approvals: VDE,CE,EAC,SEPRO</p> <p>Materijali:</p> <p>Kućište pumpe: Liveno gvožđe</p> <p>Pump housing: EN 1561 EN-GJL-150</p> <p>Kućište pumpe: ASTM A48-150B</p> <p>Rotor: Kompozitni</p> <p>Radno kolo: PES+30% GF</p> <p>Ugradnja:</p> <p>Opseg temperature okruženja: 0 .. 55 °C</p> <p>Maksimalni radni pritisak: 10 bar</p> <p>Type of connection: G</p> <p>Size of connection: 1 1/2 inch</p> <p>Pressure rating for connection: PN 10</p> <p>Port-to-port length: 180 mm</p> <p>Elektro podaci:</p> <p>Minimalna ulazna struja - P1: 4 W</p> <p>Power input P1: 25 W</p> <p>Frekvencija struje: 50 / 60 Hz</p> <p>Rated voltage: 1 x 230 V</p> <p>Maksimalna potrošnja struje: 0.05 .. 0.26 A</p> <p>Klasa zaštite (IEC 34-5): X4D</p> <p>Insulation class (IEC 85): F</p> <p>Built-in motor protection: NIJEDAN</p> <p>Ostali:</p> <p>Energy (EEI): 0.20</p> <p>Terminal box position: 6H</p> <p>Net weight: 2.06 kg</p> <p>Gross weight: 2.2 kg</p> <p>Shipping volume: 0.004 m<sup>3</sup></p> <p>Country of origin: DK</p> <p>Custom tariff no.: 84137030</p>

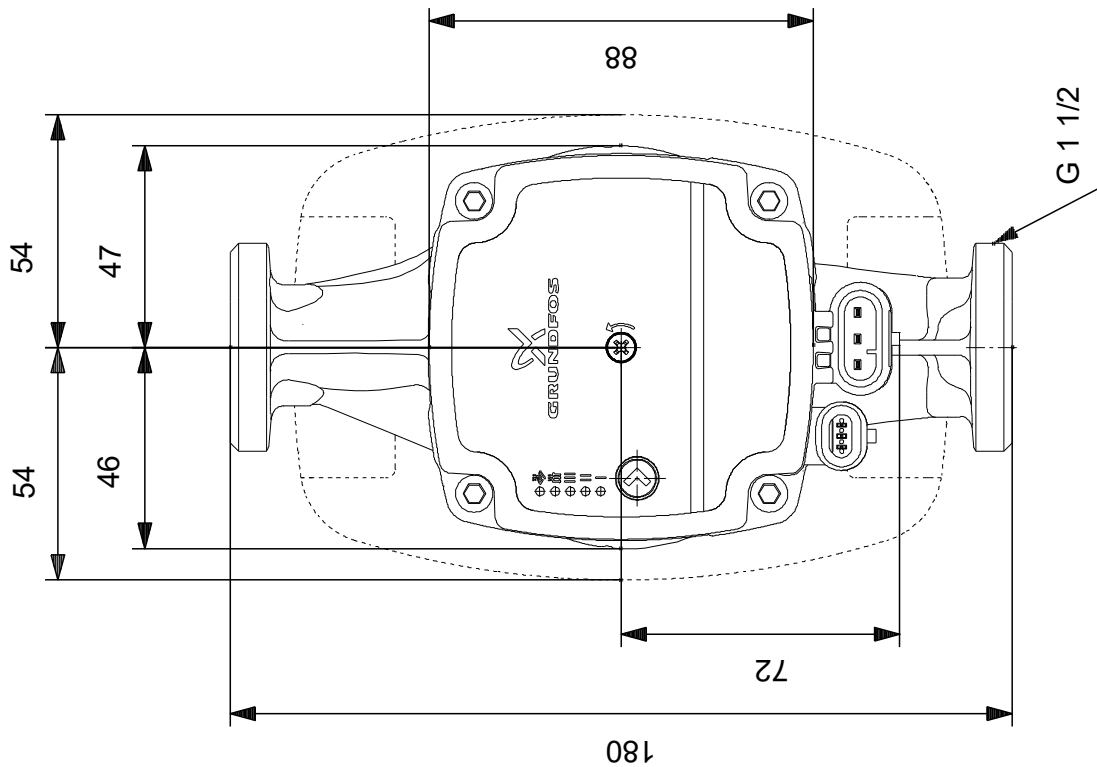
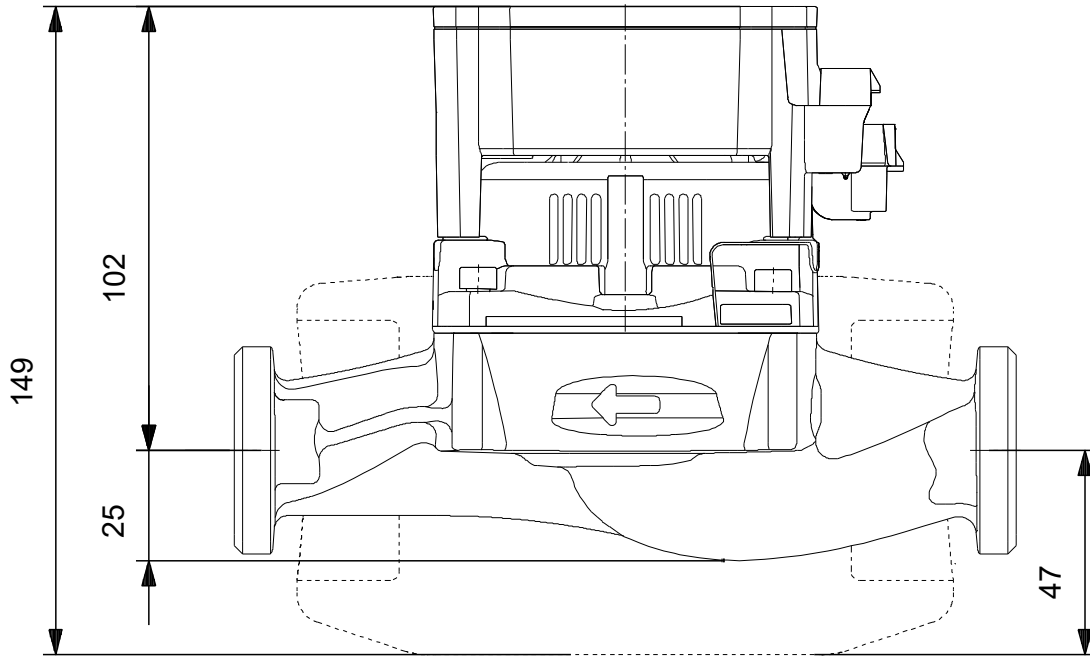
## 99160579 ALPHA1 L 25-40 180



Dizana tečnost = voda  
 Temperatura tečnosti tokom rada = 60 °C  
 Gustina = 983.2 kg/m³

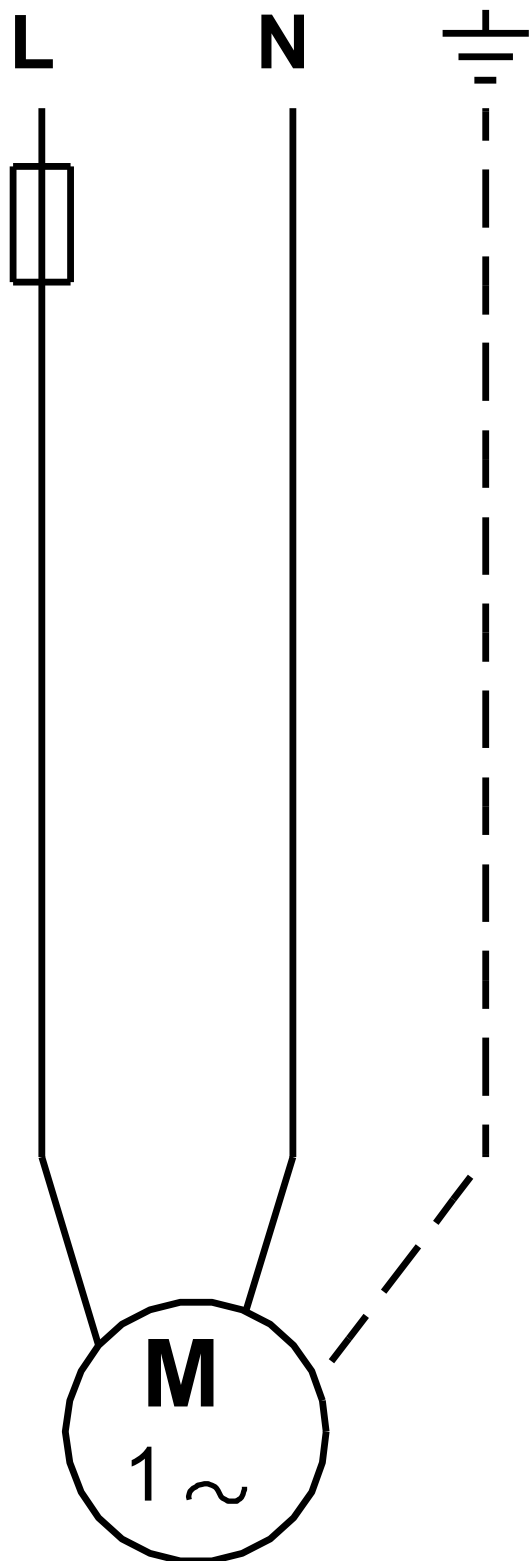


## 99160579 ALPHA1 L 25-40 180



Napomena! Sve jedinice su u [mm] ukoliko drugačije nije navedeno.  
Upozorenje: Ovaj pojednostavljeni dimenzioni crtež ne pokazuje sve detalje.

99160579 ALPHA1 L 25-40 180



Pažnja! Sve jedinice su u [mm] ukoliko nije rečeno drugačije.