

**Kol. Opis**

1 JP 4-47



Paznja! Slika proizvoda se može razlikovati od stvarnog proizvoda

Proizvodni broj: [99458767](#)

Grundfos JP 4-47 is a self-priming single-stage centrifugal jet pump with axial inlet and radial outlet for easy adaption to local piping system. The JP pump is ideal for transferring water from wells or ground tanks in a large variety of installations and it has excellent suction capacity.

The JP pump is designed for a long and trouble-free operation.

The overall design is robust with excellent corrosion resistance ensured by the stainless steel pump housing, composite impeller and paint application by electrophoresis.

JP is small and compact with a lifting handle that makes the pump handy and easy to carry.

The compact pump features a built in ejector with guide vanes.

This ensures optimum self-priming properties, featuring a suction-lift up to 8 meters.

The self-priming pump also ensures a stable operation as is it able to lift liquid from below the inlet level and can handle a mix of air and liquid until the pump reaches a fully-primed pumping condition.

The JP pump has built-in thermal protection, which immediately stops the pump if it overheats. The motor is air cooled and equipped with oversized, sealed, greased-for-life ball bearings to ensure silent operation and minimum service.

**Kontrole:**

Type of connector: Type E/F (CEE7/7)

**Tečnost:**

Dizana tečnost: voda

Raspon temperature tečnosti: 0 .. 40 °C

Selected liquid temperature: 20 °C

Gustina: 998.2 kg/m<sup>3</sup>

**Tehnički:**

Nazivni protok: 4 m<sup>3</sup>/h

Rated head: 16.75 m

Code for shaft seal: BBVP

Approvals: CE,EAC

Curve tolerance: ISO9906:2012 3B

Rated speed: 2800 rpm

**Materijali:**

Kućište pumpe: Nerđajući čelik

Pump housing: EN 1.4301

Kućište pumpe: AISI 304

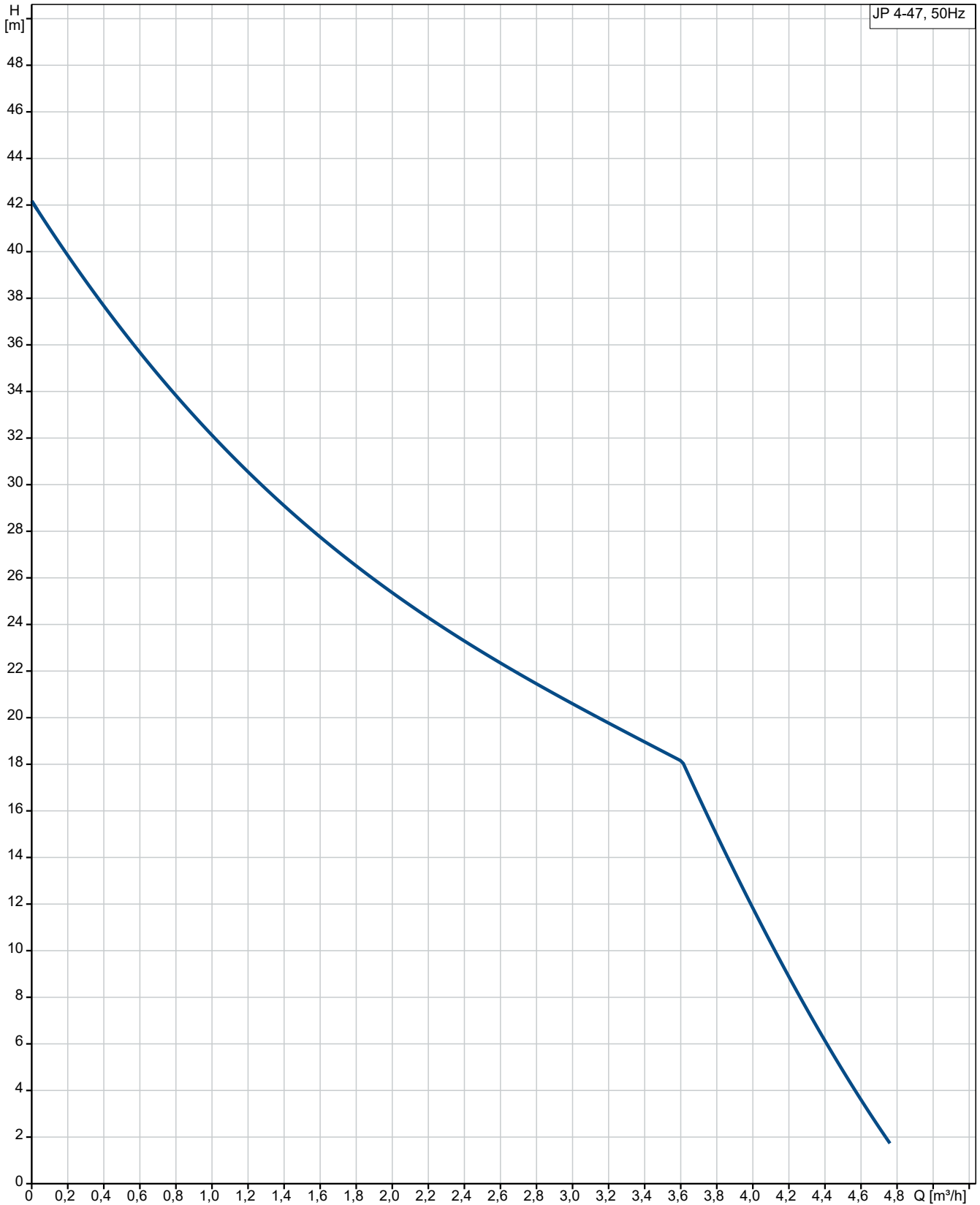
Rotor: Kompozitni

Radno kolo: PPO-20GF

**Kol. Opis**

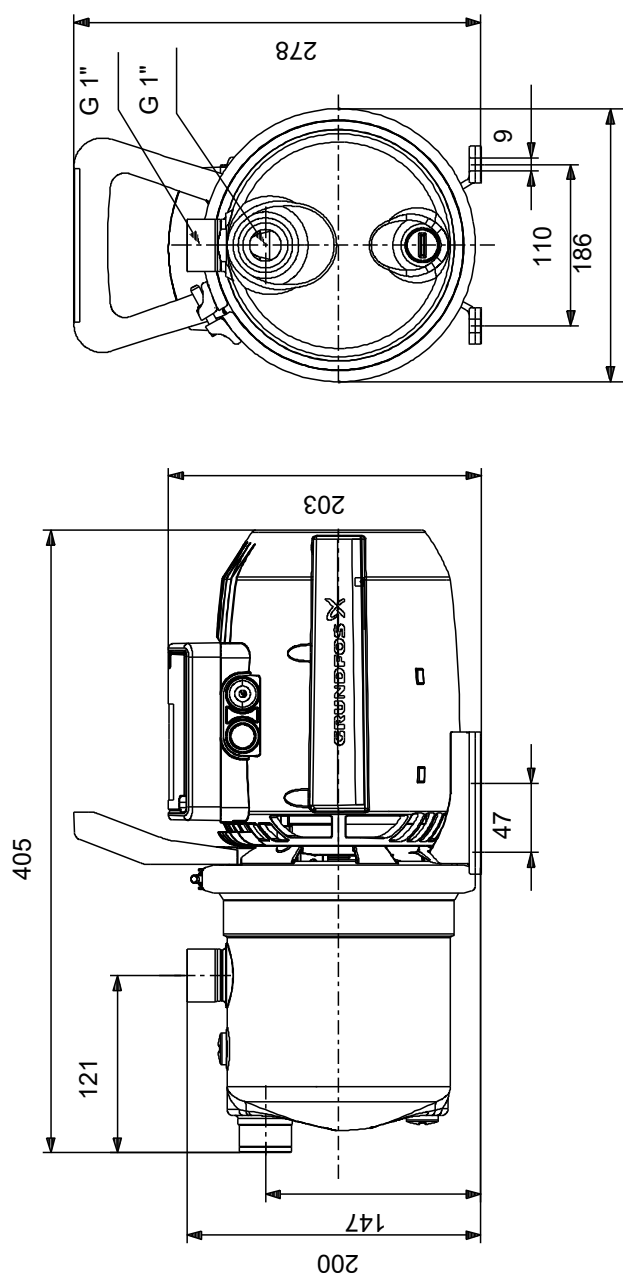
1	Ugradnja: Opseg temperature okruženja: 0 .. 40 °C Maksimalni radni pritisak: 6 bar Maximum permissible inlet pressure: 1 bar Pipe connection standard: ISO 228-1 Ulaz pumpe: G1 Izlaz pumpe: G1 Pressure rating for connection: PN 6  Elektro podaci: Power input P1: 840 W Potrebna snaga - P2: 0.55 kW Frekvencija struje: 50 Hz Rated voltage: 1 x 220-240 V Rated current: 3.9 A Struja pokretanja: 13.2 A Rated speed: 2800 rpm Veličina kondenzatora - radni: 14 µF/450 V Klasa zaštite (IEC 34-5): IP44 Insulation class (IEC 85): F Dužina kablova: 1.5 m Power plug: SCHUKO  Ostali: Net weight: 9 kg Gross weight: 12 kg Shipping volume: 0.026 m <sup>3</sup> Finnish LVI No.: 4732536 Norwegian NRF no.: 9040046 Country of origin: HU Custom tariff no.: 84137051 Environmental approvals: WEEE
---	---

## 99458767 JP 4-47 50 Hz



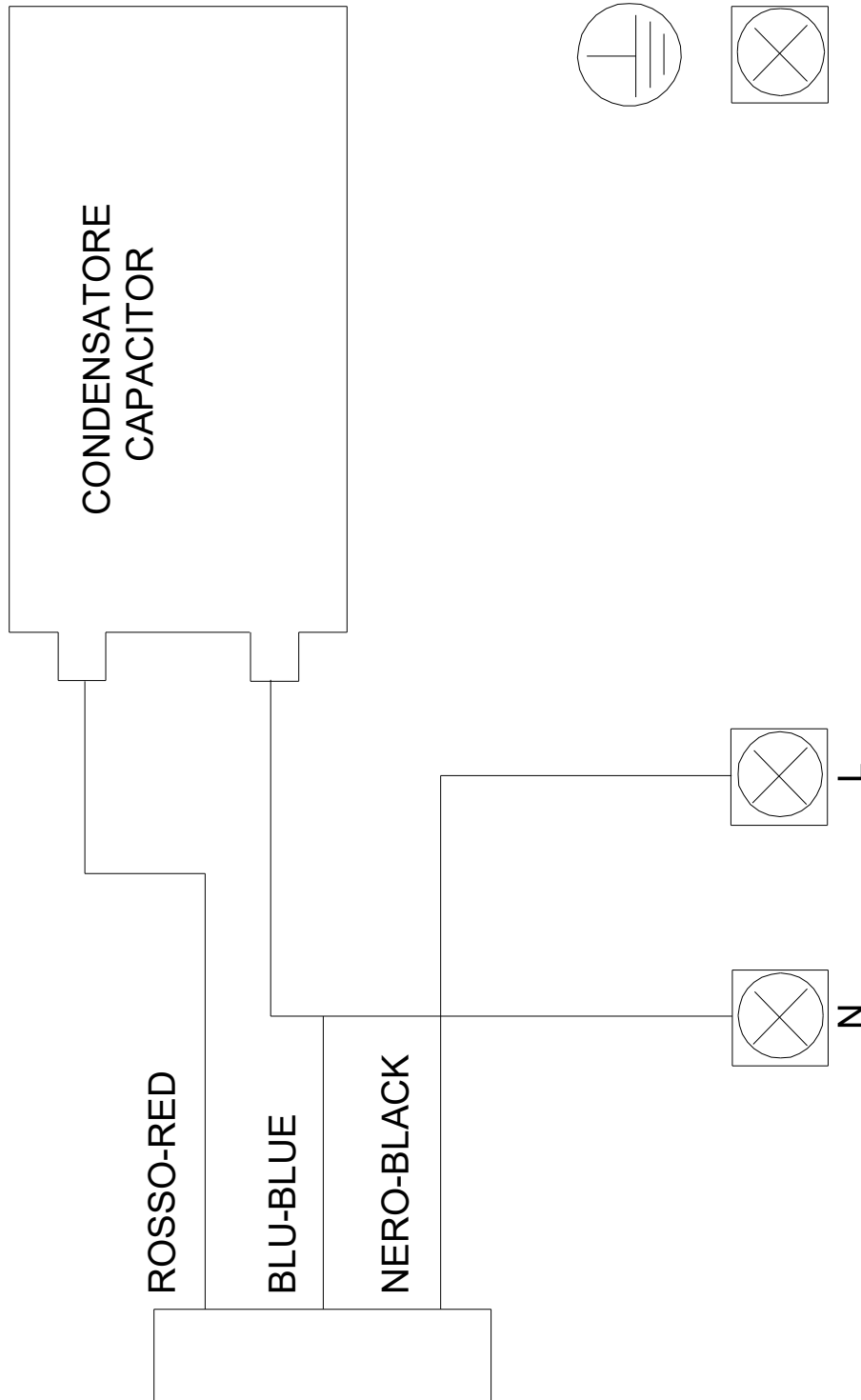
Dizana tečnost = voda  
Temperatura tečnosti tokom rada = 20 °C  
Gustina = 998.2 kg/m³

## 99458767 JP 4-47 50 Hz



Napomena! Sve jedinice su u [mm]ukoliko drugačije nije navedeno.  
Upozorenje: Ovaj pojednostavljeni dimenzioni crtež ne pokazuje sve detalje.

## 99458767 JP 4-47 50 Hz



Pažnja! Sve jedinice su u [mm] ukoliko nije rečeno drugačije.