

Kol. Opis

1 **CMBE 3-62 I-U-C-C-D-A**



Paznja! Slika proizvoda se može razlikovati od stvarnog proizvoda

Proizvodni broj: [98374701](#)

The Grundfos CMBE booster is a compact booster system for water supply in domestic applications. The integrated speed controller enables the CMBE booster to keep constant pressure in the pipe system. A pressure sensor monitoring changes in the water consumption signals the speed controller to change motor speed to adapt performance to the new state.

The CMBE booster is very easy to install. When the system has been connected to the pipes, it is all a matter of inserting the plug into a power supply socket, and the system is operational.

The CMBE booster consists of the following:

- CME pump with integrated frequency converter
- Five-way valve
- expansion tank
- pressure gauge

The Grundfos CMBE booster requires no external motor protection.

The MGE motor incorporates thermal protection against slow overloading and blocking (IEC 34.11: TP 211).

The Grundfos CMBE booster is mainly used for domestic and light commercial water supply or booster systems.

NB:

Suction lift: maximum 1 m, including inlet pipe pressure loss at a liquid temperature of 20 °C (not self-priming).

Kontrola:

Type of connector: Type E/F (CEE7/7)

Frequency converter: Ugrađeno

Tečnost:

Dizana tečnost: voda

Raspon temperature tečnosti: 0 .. 60 °C

Selected liquid temperature: 20 °C

Gustina: 998.2 kg/m³

Tehnički:

Brzina pumpe na kojoj su zasnovani podaci o pumpi: 3780 rpm

Nazivni protok: 4.2 m³/h

Rated head: 45.2 m

Code for shaft seal: AVBE

Approvals: CE,EAC,CN ROHS EXE,MORO,SEPRO

Approvals for drinking water: WRAS

Curve tolerance: ISO9906:2012 3B

Return valve: DA

Početni pritisak: Integrated Frequency converter

Tank volume: 2 l

Materijali:

Kućiče pumpe: Nerđajući čelik

Kol. Opis

1	Pump housing:	EN 1.4301
	Kućište pumpe:	AISI 304
	Rotor:	Nerđajući čelik
	Radno kolo:	EN 1.4301
	Rotor:	AISI 304

Ugradnja:

Maksimalna temperatura okoline:	55 °C
Maksimalni radni pritisak:	10 bar
Pipe connection standard:	ISO 228-1
Type of inlet connection:	Rp
Type of outlet connection:	Rp
Size of inlet connection:	1
Size of outlet connection:	1
Pressure rating for connection:	PN 10

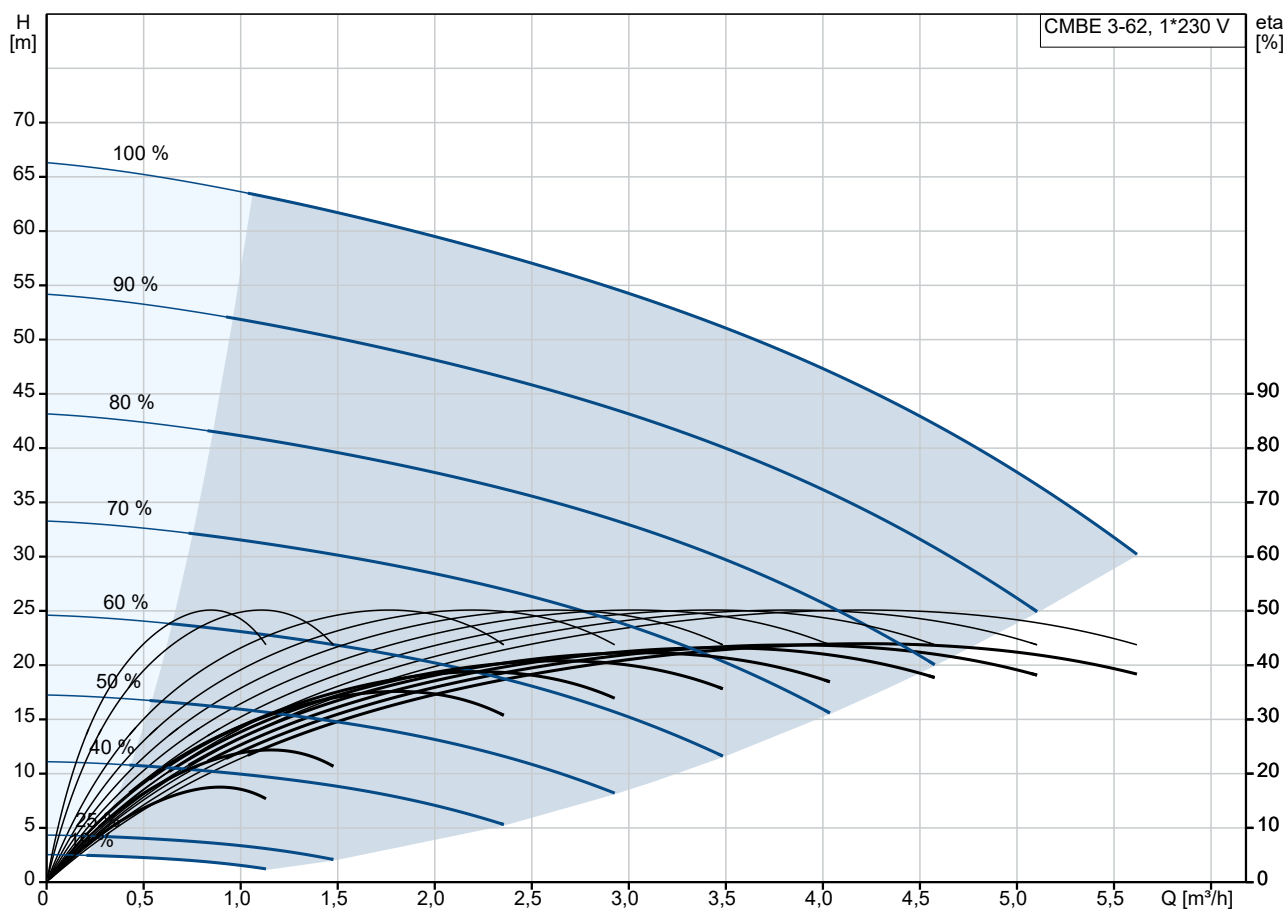
Elektro podaci:

Rated power - P2:	1.1 kW
Frekvencija struje:	50 Hz
Rated voltage:	1 x 200-240 V
Maximum current consumption:	6.70-5.60 A
Rated speed:	360-4000 rpm
Klasa zaštite (IEC 34-5):	IP55
Insulation class (IEC 85):	F
Dužina kabla:	1.5 m
Power plug:	Šuko utikač

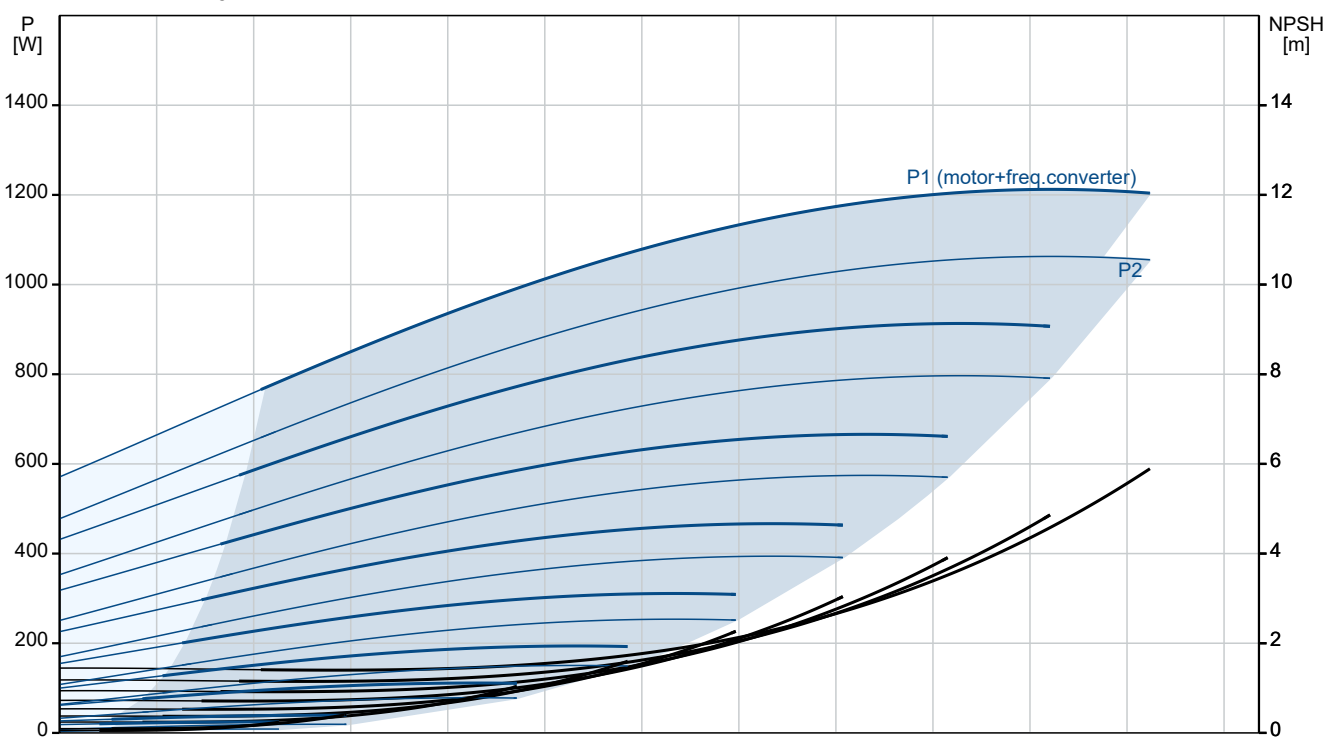
Ostali:

Net weight:	17.1 kg
Gross weight:	27.2 kg
Shipping volume:	0.168 m ³
Danski VVS Br.:	385185362
Finnish LVI No.:	4925860
Norwegian NRF no.:	9040036
Country of origin:	HU
Custom tariff no.:	84137075
Environmental approvals:	WEEE

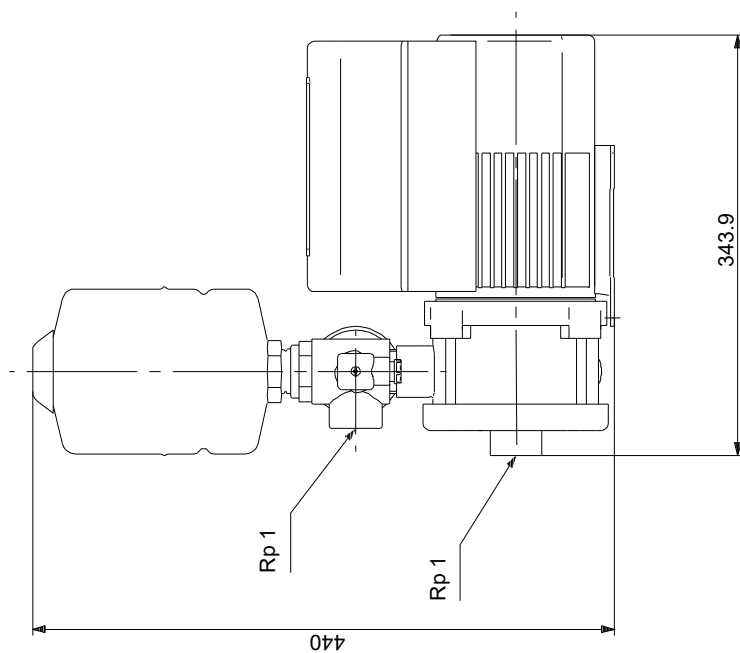
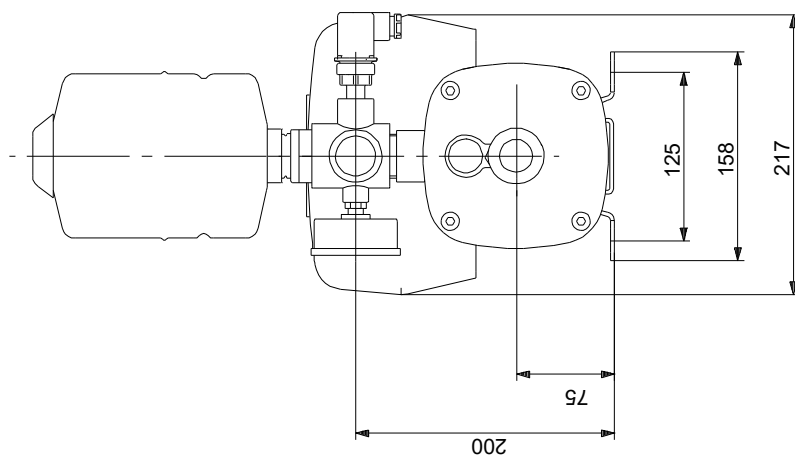
98374701 CMBE 3-62 I-U-C-C-D-A 50 Hz



Dizana tečnost = voda
 Temperatura tečnosti tokom rada = 20 °C
 Gustina = 998.2 kg/m³

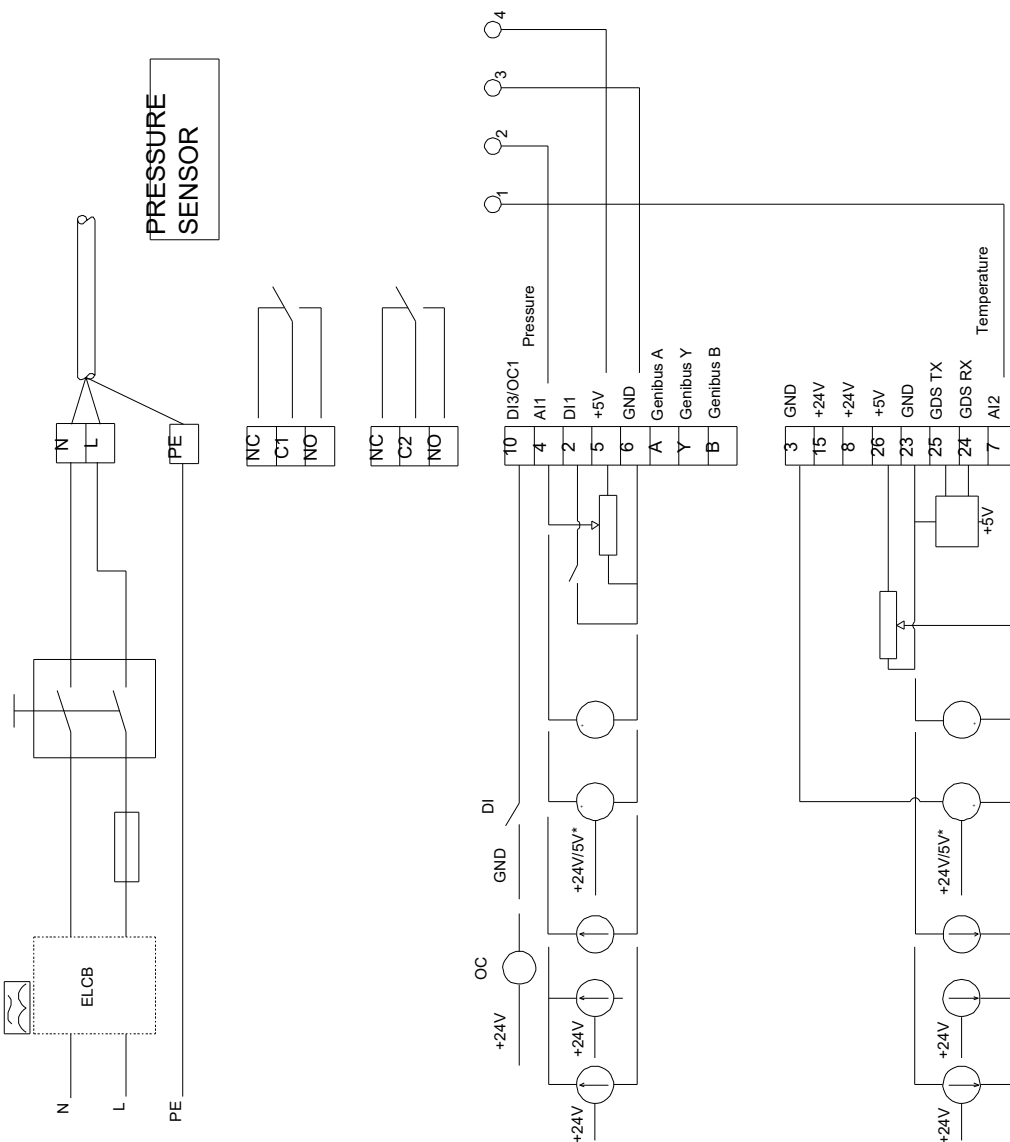
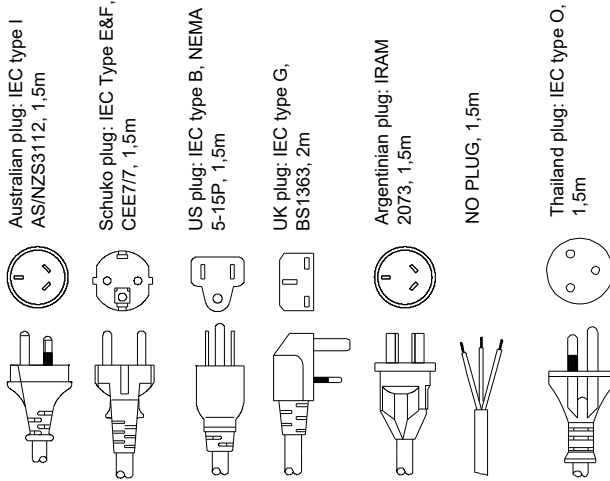


98374701 CMBE 3-62 I-U-C-C-D-A 50 Hz



Napomena! Sve jedinice su u [mm]ukoliko drugačije nije navedeno.
Upozorenje: Ovaj pojednostavljeni dimenzioni crtež ne pokazuje sve detalje.

98374701 CMBE 3-62 I-U-C-C-D-A 50 Hz



Pažnja! Sve jedinice su u [mm] ukoliko nije rečeno drugačije.